

general specification



2421 Bga Drive · Claremont, NC 28610
 (828) 548-3192 · (714) 540-1000
 www.daesyst.com · cs@daesyst.com

MODEL : C050C
 NSN 4140-00-654-1679

FEATURES

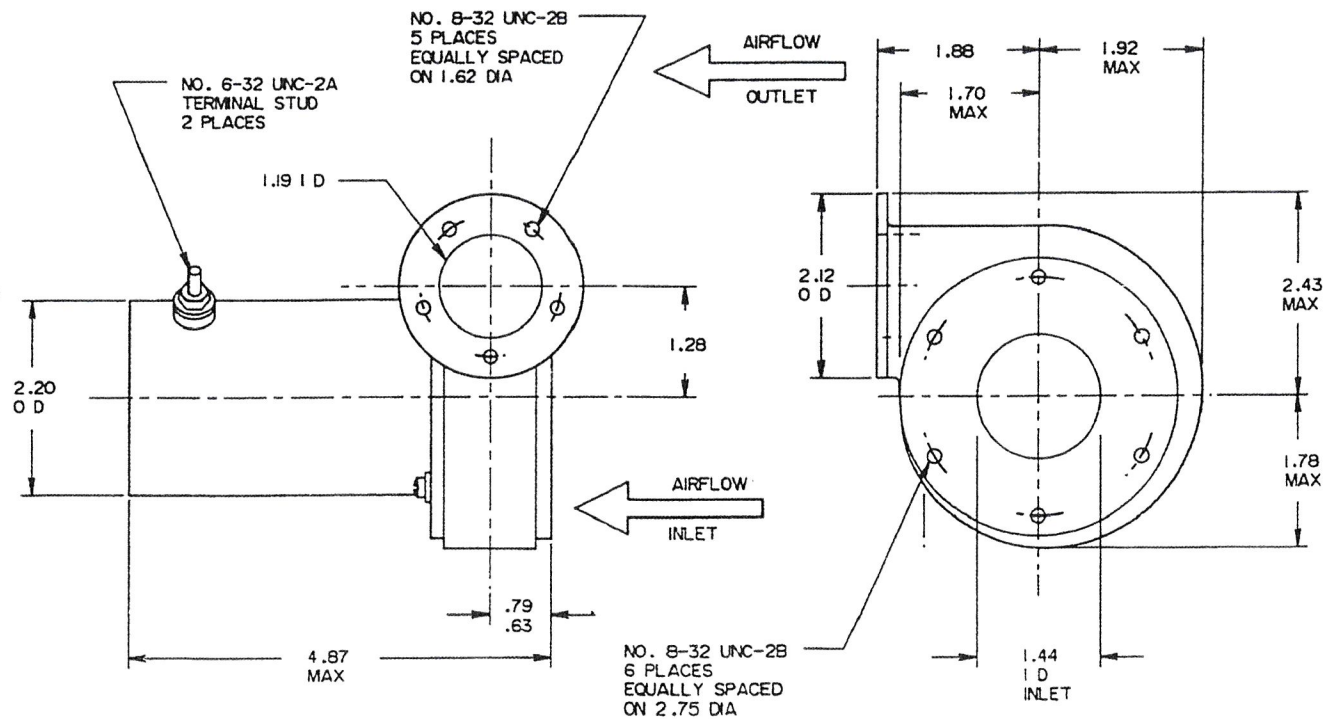
MOTOR MODEL	MI514BE
MOTOR TYPE	CLOSED
VOLTAGE	115 VAC
HERTZ	400
PHASE	SINGLE
POLES	4
POWER	SEE PAGE 2
SPEED	11,600 RPM NOM
CONNECTOR	NO
HOUSING	ALUMINUM ALLOY WITH ANODIZE
FINISH	ZINC CHROMATE PRIMER, BLACK LACQUER
IMPELLER	ALUMINUM ALLOY
FINISH	ZINC CHROMATE PRIMER

PHYSICAL CHARACTERISTICS

MAXIMUM LENGTH	4.87
MAXIMUM HEIGHT	4.21
WEIGHT	1.88 LBS

TYPICAL APPLICATIONS

ELECTRONICS COOLING
 DEMIST



DYNAMIC AIR ENGINEERING, INC.

620 EAST DYER ROAD, SANTA ANA, CALIF. 92708

PERFORMANCE CURVE

1ST STAGE PROP. NO. 2666 | DIA. 2.625
 2ND STAGE PROP. NO. | DIA. |
 MOTOR MODEL M154BE | CLOSED
 POWER SOURCE 115.0 VAC
 CORRECTED TO 59.0 °F. TEMP. 0.07650 DENSITY

No. Y050-45
 DATE 12-3-75
 MODEL No. C050C

MANUFACTURING TOLERANCES:
 CFM & SPEED ±3%; PRESSURE ±6%; POWER ±6%
 1.80 IN. I.D. DUC
 COUNTER-CLOCKWISE ROTATION

