

general specification



2421 Bga Drive · Claremont, NC 28610
(828) 548-3192 · (714) 540-1000
www.daesyst.com · cs@daesyst.com

MODEL: C060-690A CENTRIFUGAL FAN

FEATURES

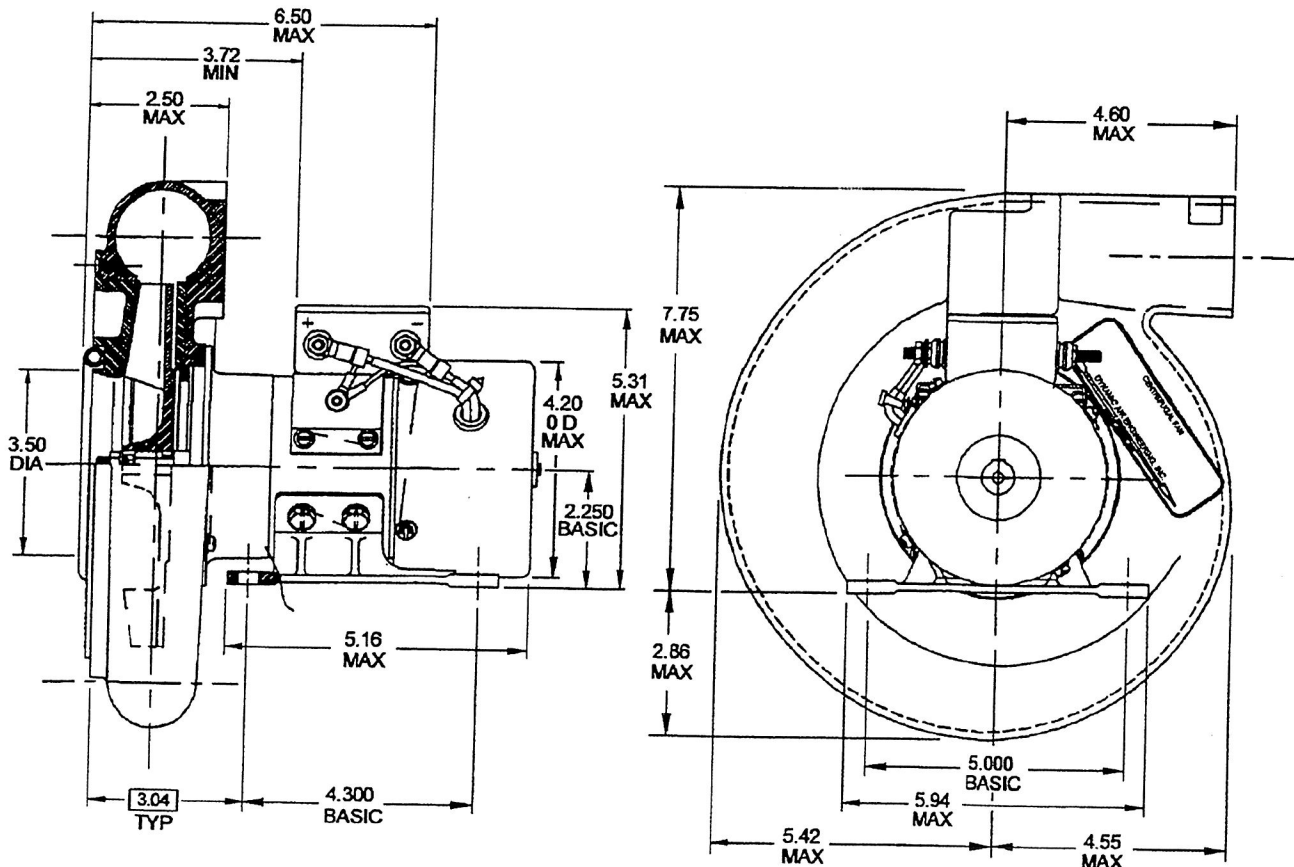
MOTOR MODEL: M3224D
MOTOR TYPE: CLOSED, SELF-COOLED
INPUT POWER: 27 V.D.C.
SPEED: 11,200 RPM
THERMAL PROTECTOR: NO
EMI FILTER: YES
HOUSING FINISH: ALUMINUM ALLOY
WHITE EPOXY-POLYAMIDE COATING
IMPELLER FINISH: ALUMINUM ALLOY
WHITE EPOXY-POLYAMIDE COATING
SPECIAL FEATURES:

PHYSICAL CHARACTERISTICS

WEIGHT: 13.6 LBS.
NOISE: 91 dBA

TYPICAL APPLICATIONS

NBC FILTRATION



1ST STAGE PROP. NO. 5805-13 DIA. 6.900
 2ND STAGE PROP. NO. DIA.
 MOTOR MODEL M3224D
 POWER SOURCE 27.5 VDC
 CORRECTED TO 59.0 °F TEMP. 0.07650 DENSITY
 MANUFACTURING TOLERANCES:
 CFM & SPEED ±4% PRESSURE ±8% POWER ±12%
 2.000 IN. I.D. DUCT
 SELF COOLED

No. Y060-690-7
 DATE 02-22-01
 MODEL No. C060-690A

