

general specification



2421 Bga Drive · Claremont, NC 28610
 (828) 548-3192 · (714) 540-1000
 www.daesyst.com · cs@daesyst.com

MODEL : C 180-559E CENTRIFUGAL FAN

FEATURES

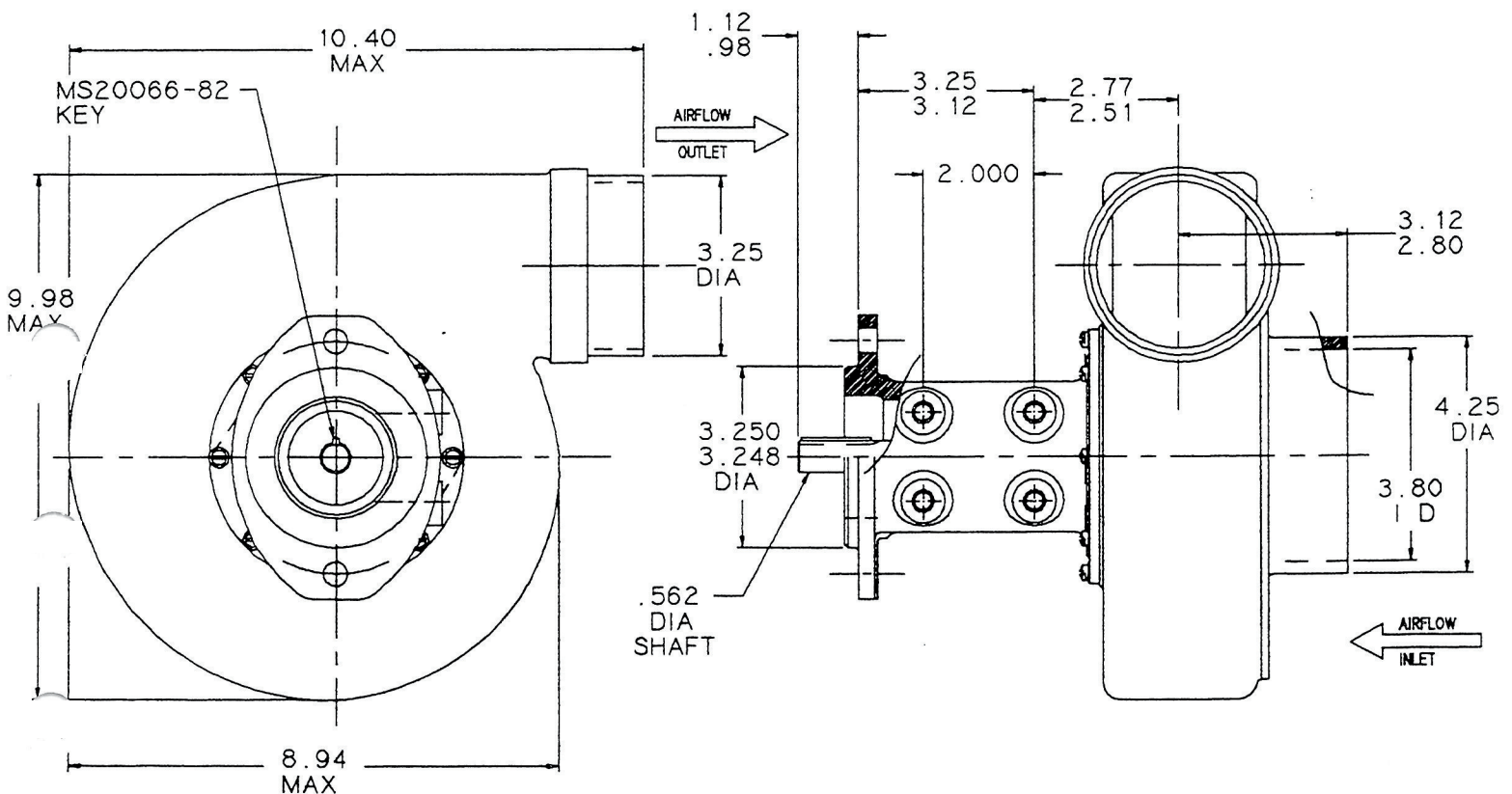
| | |
|-------------------|---|
| MOTOR MODEL | |
| MOTOR TYPE | |
| INPUT POWER | SHAFT DRIVE |
| SPEED | 9400 RPM |
| THERMAL PROTECTOR | NO |
| EMI FILTER | NO |
| HOUSING FINISH | ALUMINUM ALLOY WITH ANODIZE ZINC CHROMATE PRIMER AND GRAY LACQUER |
| IMPELLER FINISH | ALUMINUM ALLOY WITH ANODIZE |
| SPECIAL FEATURES | |

PHYSICAL CHARACTERISTICS

WEIGHT 9.32 LB
 NOISE 105 dBA

TYPICAL APPLICATIONS

INFLATION OF PORTABLE
 SHELTERS



C180-559E SHAFT DRIVE

CURVE NO. Y180-559-15

