

general specification



2421 Bga Drive · Claremont, NC 28610
 (828) 548-3192 · (714) 540-1000
 www.daesyst.com · cs@daesyst.com

MODEL : C209-690C CENTRIFUGAL FAN

FEATURES

MOTOR MODEL	M3348A
MOTOR TYPE	
INPUT POWER	28 VDC
SPEED	9000 RPM
THERMAL PROTECTOR	YES
EMI FILTER	YES
HOUSING FINISH	ALUMINUM ALLOY ZINC CHROMATE PRIMER AND BLACK LACQUER
IMPELLER FINISH	ALUMINUM ALLOY ZINC CHROMATE PRIMER AND BLACK LACQUER

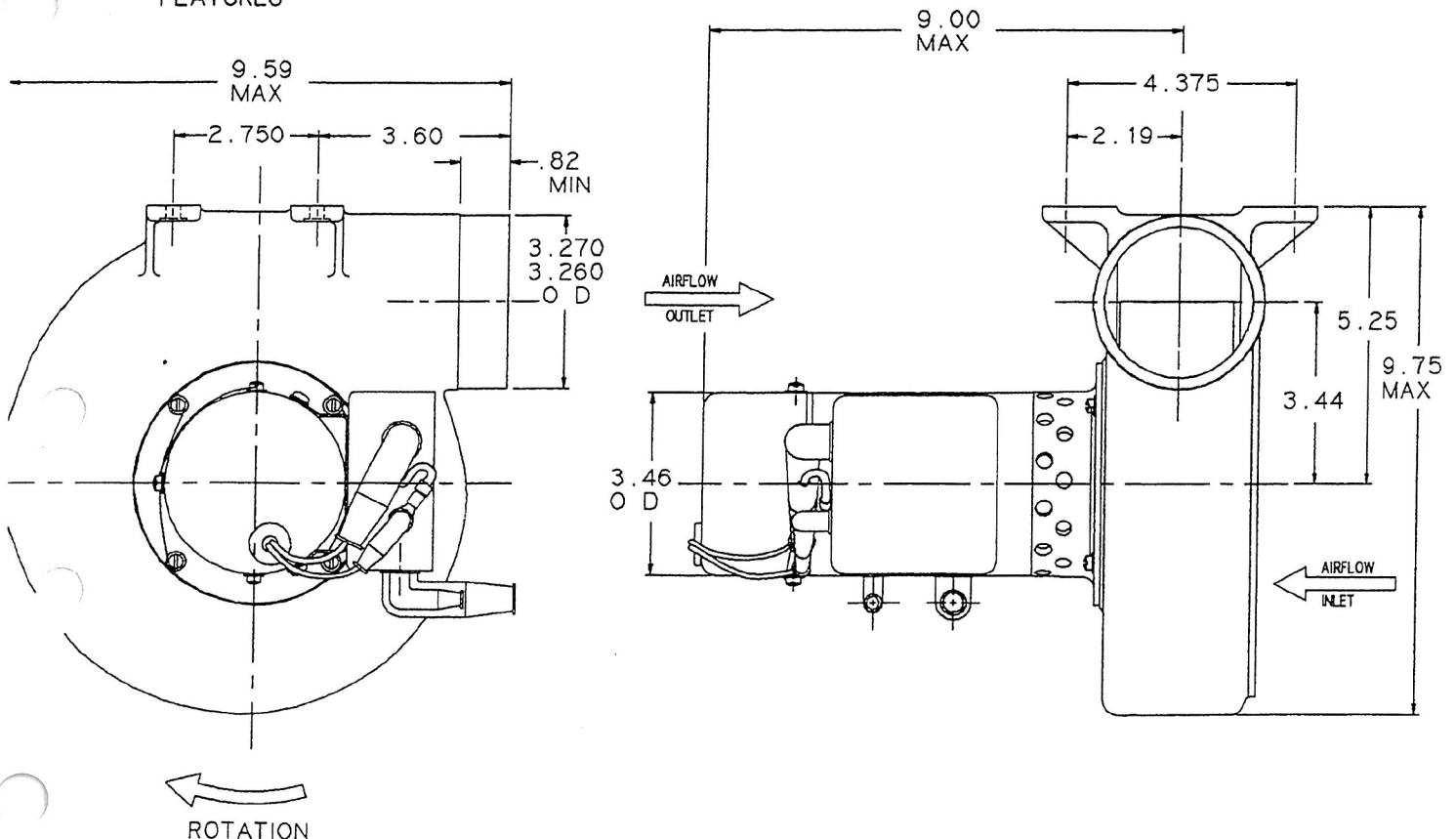
SPECIAL FEATURES

PHYSICAL CHARACTERISTICS

WEIGHT	16.5 LB
NOISE	102dBA

TYPICAL APPLICATIONS

CABIN AIR
RECIRCULATION



PERFORMANCE CURVE

1ST STAGE PROP NO. 5805-3 DIA. 5.900 INVENT
 2ND STAGE PROP NO. DIA.
 MOTOR MODEL M3348BB VFP
 POWER SOURCE 28.0 VDC
 CORRECTED TO 59.0 °F TEMP. 07650 DENSITY
 MANUFACTURING TOLERANCES:
 CFM & SPEED ±4% PRESSURE ±2% POWER ±14%
 2.850 IN. I.D. DUCT

No. Y209-690-18
 DATE 4-9-82
 MODEL No. C209-690C

