

general specification



2421 Bga Drive · Claremont, NC 28610
 (828) 548-3192 · (714) 540-1000
 www.daesyst.com · cs@daesyst.com

MODEL : M2971B425-9

FAN AND HEATER

FEATURES

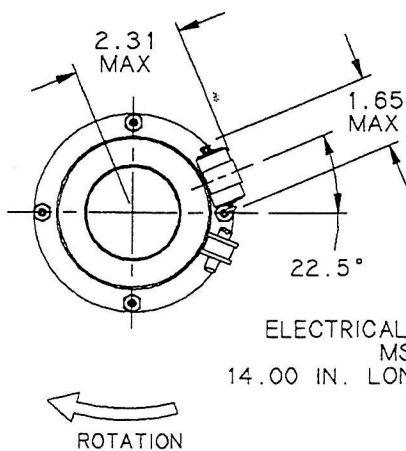
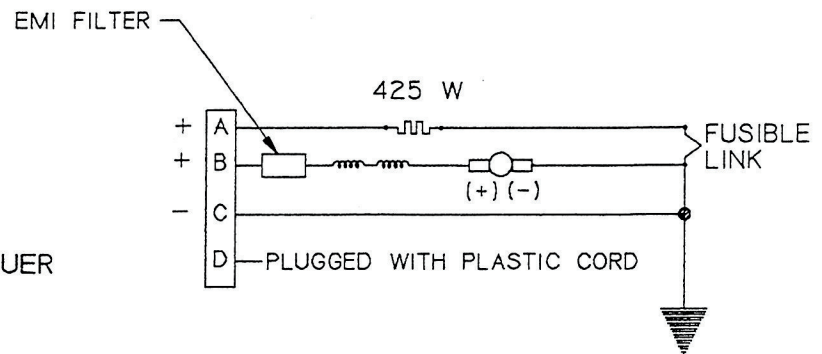
HEATER RATING 425 WATTS
 HEATER POWER 27 VDC
 FAN POWER 27 VDC
 SPEED 5,500 RPM
 HEATER FUSIBLE LINK OPEN 475°F

EMI FILTER YES
 HOUSING FINISH STEEL
 CADMIUM PLATE,
 ZINC CHROMATE PRIMER,
 STONE COLOR VINYL LACQUER
 TOPCOAT
 PROPELLER FINISH ALUMINUM
 ZINC CHROMATE PRIMER,
 BLACK LACQUER TOPCOAT
 FILTER FINISH STEEL
 TIN PLATE

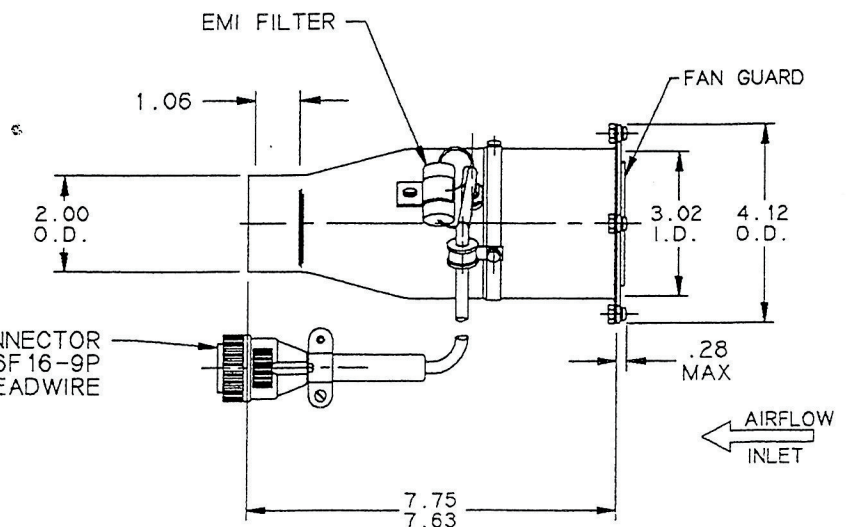
PHYSICAL CHARACTERISTICS

WEIGHT 2.4 LBS
 NOISE 66 dBA

WIRING SCHEMATIC



ELECTRICAL CONNECTOR
 MS3106F16-9P
 14.00 IN. LONG LEADWIRE



1ST STAGE PROP NO. 1500-44 DIA. 2.970 UNVENT

2ND STAGE PROP NO. _____ DIA. _____

MOTOR MODEL M311L VENT _____

POWER SOURCE 27.0 VDC

CORRECTED TO 59.0 °F TEMP. .07650 DENSITY

MANUFACTURING TOLERANCES:

CFM & SPEED ±3% PRESSURE ±8% POWER ±12%

2.000 IN. I.D. DUCT

FAN MODEL M297IU-9A WITH WIRE GUARD

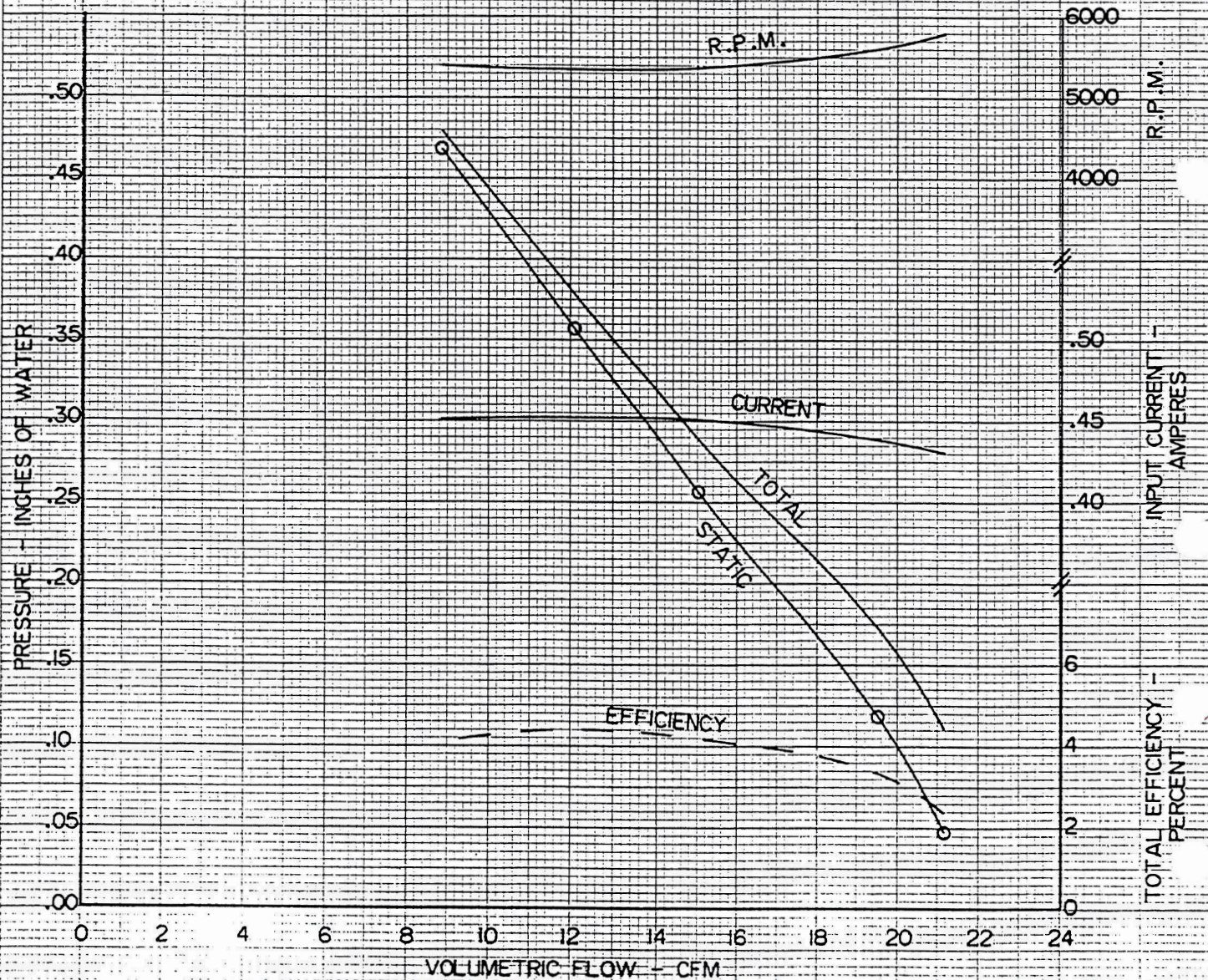
HEATER MODEL H3001D-6

HEATER RATING 425W

NO. Y297I-68

DATE 8-23-76

MODEL NO. M297IB425-9



general specification



2421 Bga Drive · Claremont, NC 28610
 (828) 548-3192 · (714) 540-1000
 www.daesyst.com · cs@daesyst.com

MODEL : M2971C425-9

FAN AND HEATER

FEATURES

HEATER RATING 425 WATTS
 HEATER POWER 27 VDC

FAN POWER 27 VDC
 SPEED 13,000 RPM

THERMAL SWITCH NO

EMI FILTER YES

HOUSING FINISH STEEL
 CADMIUM PLATE

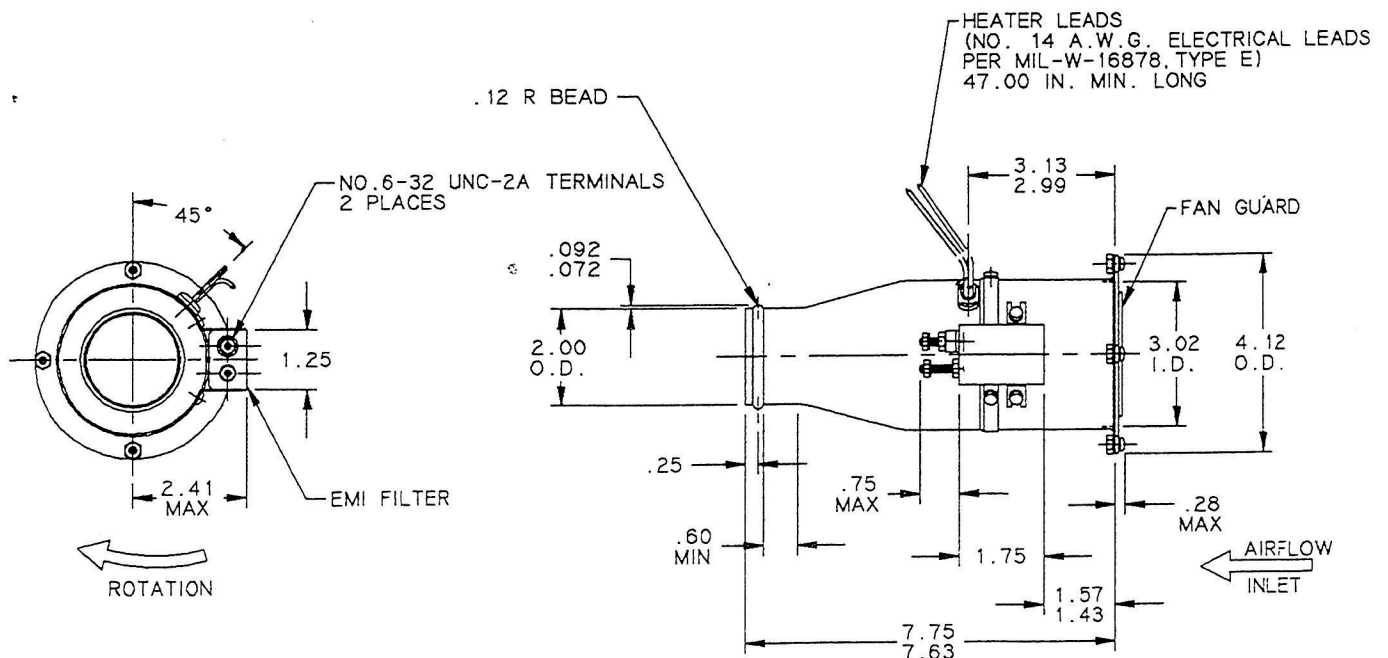
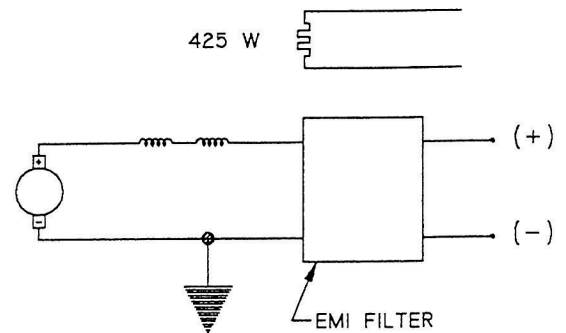
PROPELLER FINISH ALUMINUM
 ZINC CHROMATE PRIMER,
 BLACK LACQUER TOPCOAT

FILTER FINISH STEEL
 TIN PLATE
 ZINC CHROMATE PRIMER
 BLACK LACQUER TOPCOAT

PHYSICAL CHARACTERISTICS

WEIGHT 2.6 LBS
 NOISE 72 dBA

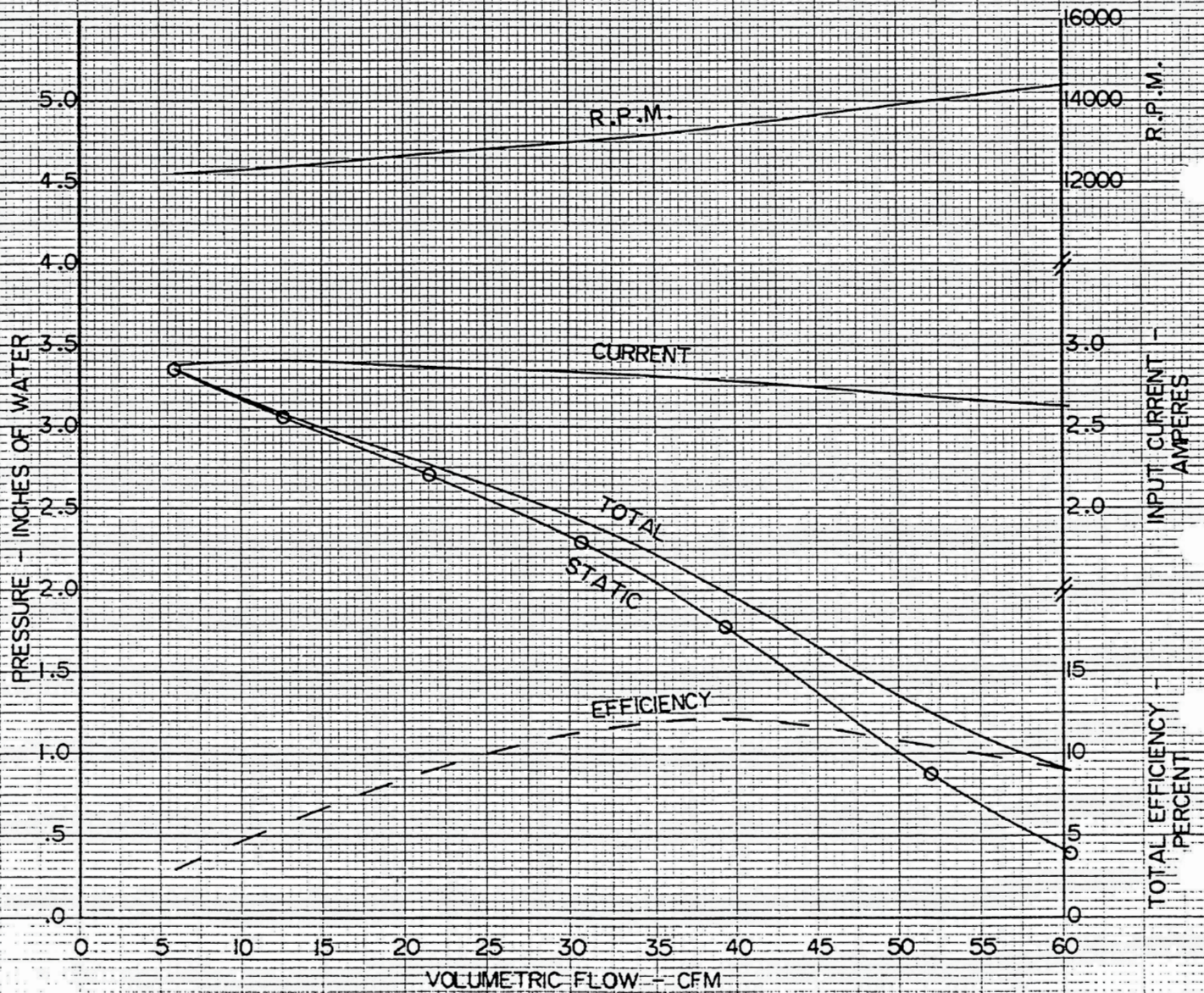
WIRING SCHEMATIC



1ST STAGE PROP No. 1500-44 DIA. 2.970 UNVENT
 2ND STAGE PROP No. _____ DIA. _____
 MOTOR MODEL M311CB
 POWER SOURCE 27.0 VDC
 CORRECTED TO 59.0 °F TEMP. .07650 DENSITY

No. Y2971-35
 DATE 11-11-65
 MODEL No. M2971C425-9

MANUFACTURING TOLERANCES:
 CFM & SPEED $\pm 4\%$, PRESSURE $\pm 8\%$, POWER $\pm 12\%$
 2.000 IN. I.D. DUCT
 FAN MODEL M2971D-9C
 HEATER MODEL H3001D-6A
 HEATER RATING 425W



general specification



2421 Bga Drive · Claremont, NC 28610
 (828) 548-3192 · (714) 540-1000
 www.daesyst.com · cs@daesyst.com

MODEL : M297 1D350-9B

FAN AND HEATER

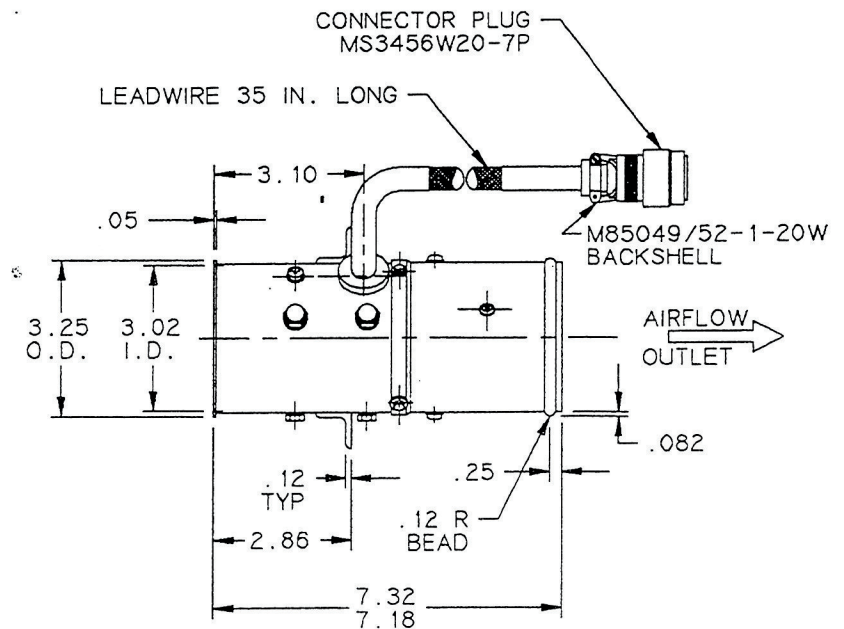
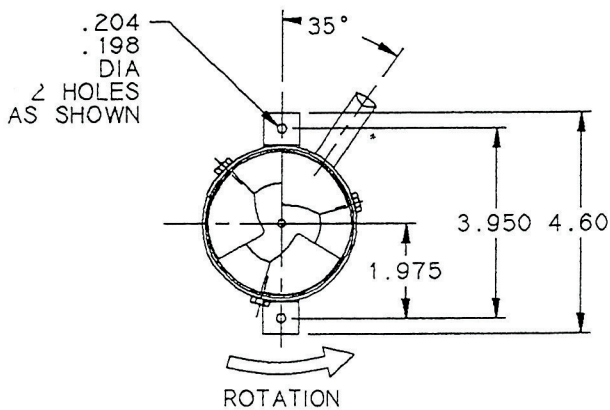
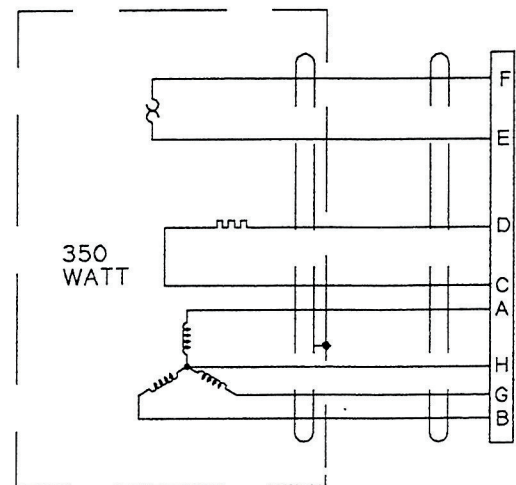
FEATURES

HEATER RATING	350	WATTS
HEATER POWER	115 VAC/1 PH/400 HZ	
FAN POWER	200 VAC/3 PH/400 HZ	
SPEED	22,800 RPM	
THERMAL SWITCH	YES	CLOSE 170°F ±10°F OPEN 205°F ±10°F
EMI FILTER	NO	
HOUSING FINISH	STEEL	CADMIUM PLATE
PROPELLER FINISH	ALUMINUM	ZINC CHROMATE PRIMER, BLACK LACQUER TOPCOAT

PHYSICAL CHARACTERISTICS

WEIGHT	3.3	LBS
NOISE	85	dBA

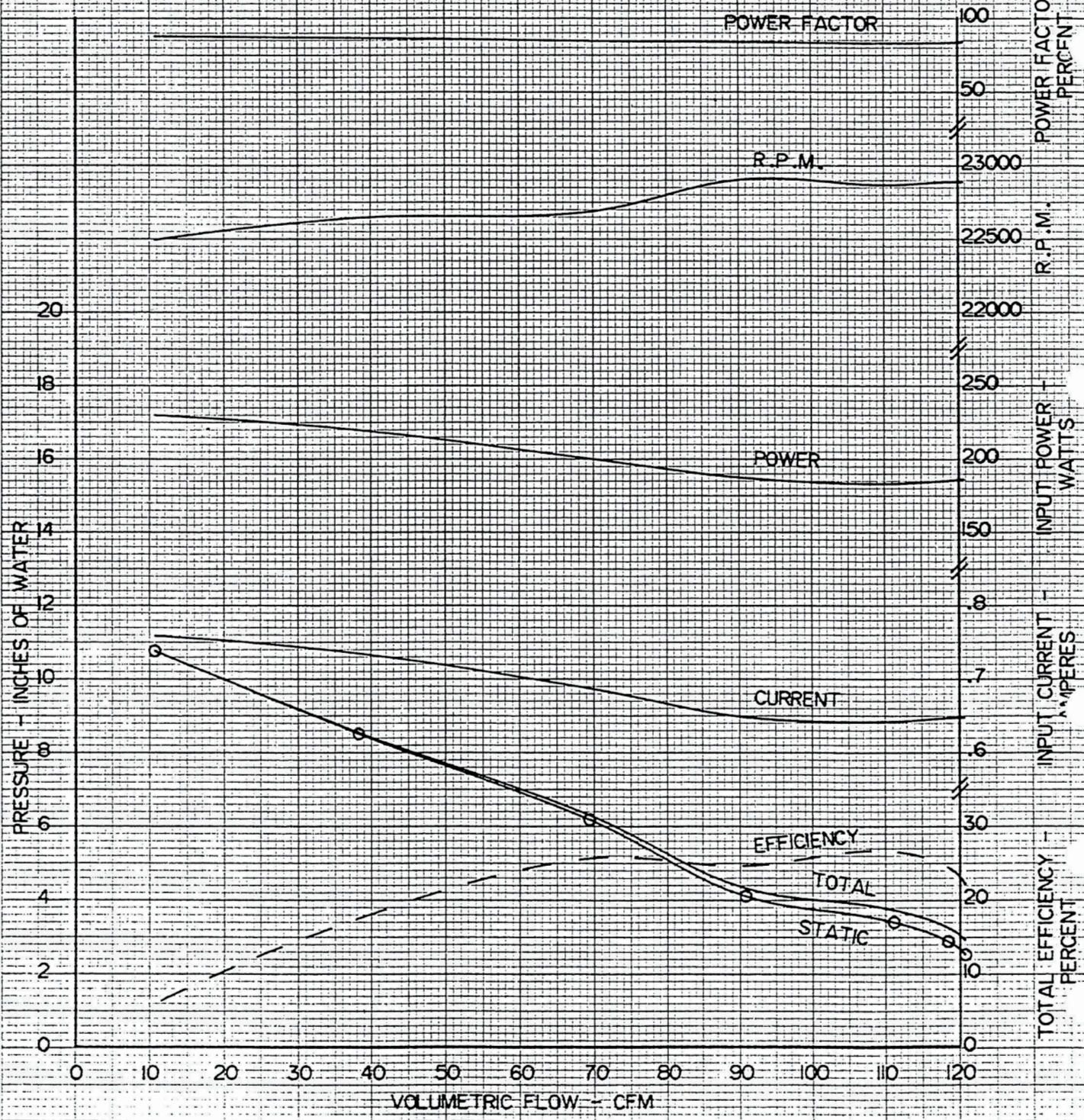
WIRING SCHEMATIC



1ST STAGE PROP NO. 2766-34 DIA. 2.970 UNVENT
 2ND STAGE PROP NO. DIA.
 MOTOR MODEL M16143AF
 POWER SOURCE 200.0 VAC, 400.0 HZ, 3 PHASE, .000 UF
 CORRECTED TO 59.0 AF. TEMP. 07650 DENSITY

No. X2971-41
 DATE 3-13-68
 MODEL No. M2971D350-9

MANUFACTURING TOLERANCES:
 CFM & SPEED ±5% PRESSURE ±6% POWER ±9%
 3.000 IN. I.D. DUCT
 FAN MODEL M2971Y-9C
 HEATER MODEL H3001E-6A (115 VAC, 400 HZ, 1 PH)
 HEATER RATING 350W



general specification



2421 Bga Drive · Claremont, NC 28610
 (828) 548-3192 · (714) 540-1000
 www.daesyst.com · cs@daesyst.com

MODEL : M2971F112/400-9A FAN AND HEATER

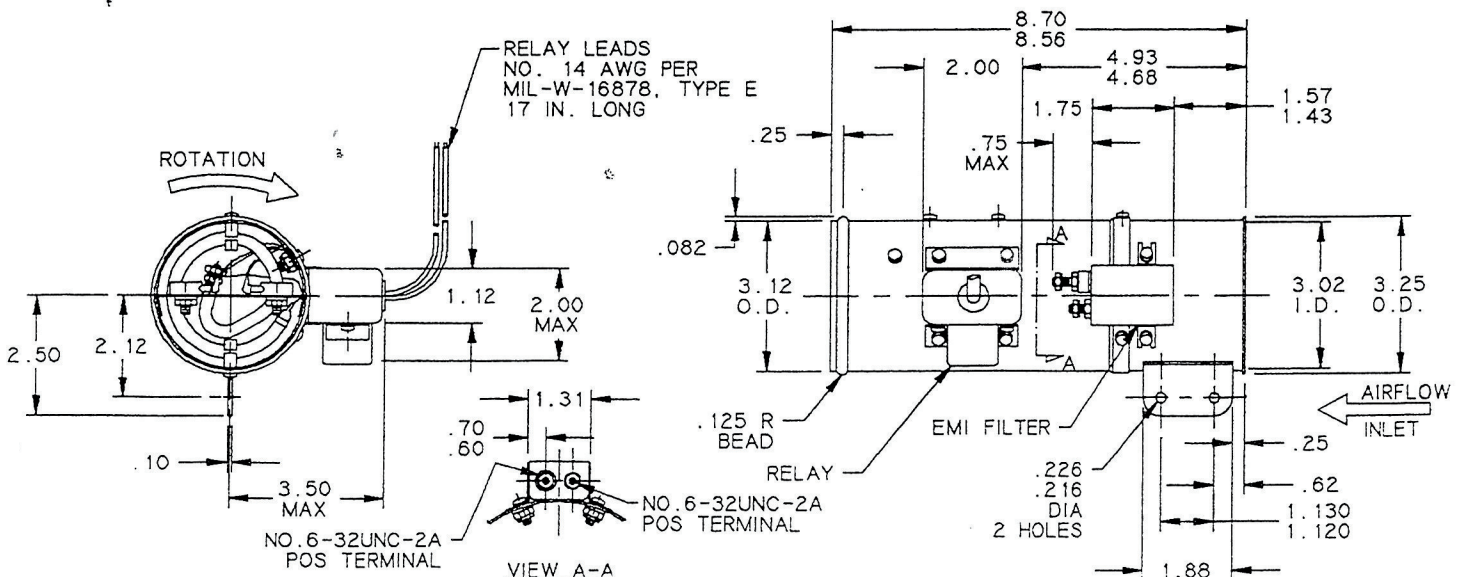
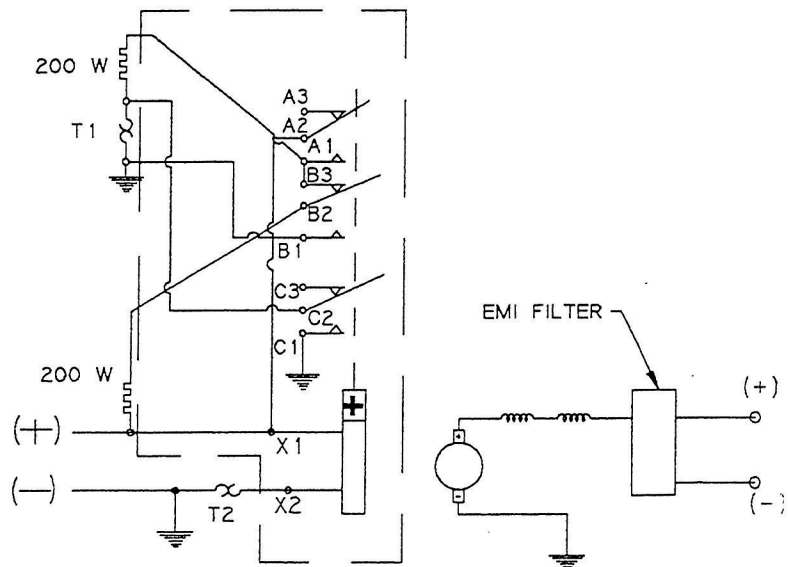
FEATURES

HEATER RATING	112/400	WATTS
HEATER POWER	27	VDC
FAN POWER	27	VDC
SPEED	13,200	RPM
THERMAL SWITCH	(T1) NC: OPENS 78° ± 3°F	
	CLOSES 74° ± 3°F	
	(T2) NC: OPENS 74° ± 3°F	
	CLOSES 70° ± 3°F	
EMI FILTER	YES	
HOUSING FINISH	STEEL	
	CADMIUM PLATE	
PROPELLER FINISH	ALUMINUM	
	ZINC CHROMATE PRIMER,	
	BLACK LACQUER TOPCOAT	
FILTER AND RELAY CAN FINISH	STEEL	
	TIN PLATE	
	ZINC CHROMATE PRIMER	
	BLACK LACQUER TOPCOAT	

PHYSICAL CHARACTERISTICS

WEIGHT	3.1	LBS
NOISE	70	dBA

WIRING SCHEMATIC



1ST STAGE PROP NO. 1500-44 DIA. 2.970 UNVENT

NO. X2971-65

2ND STAGE PROP NO. _____ DIA. _____

DATE 9-20-74

MOTOR MODEL M312C CLOSED

MODEL NO. M2971F112/400 A

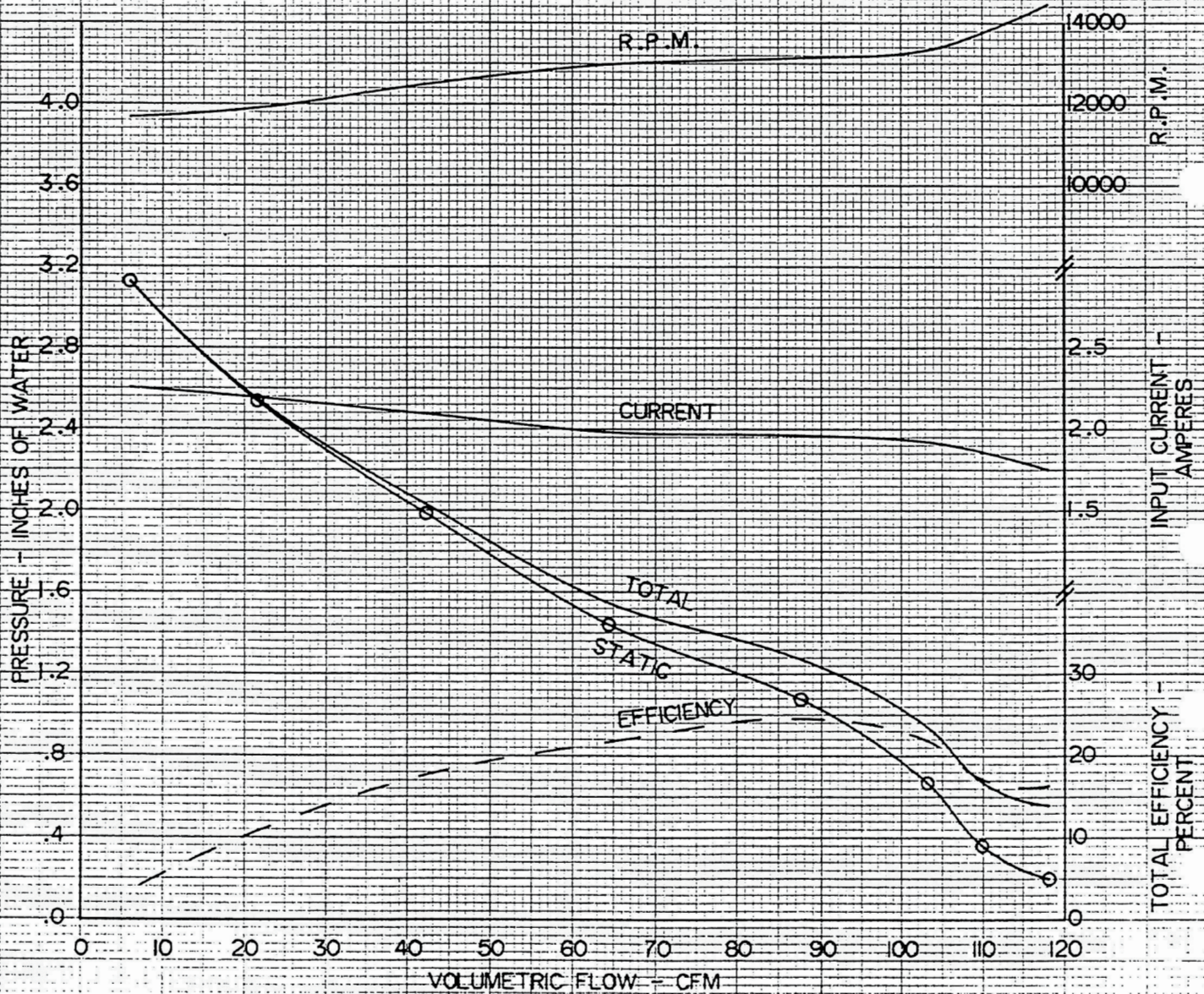
POWER SOURCE 27.0 VDC

CORRECTED TO 59.0 °F. TEMP. .07650 DENSITY

MANUFACTURING TOLERANCES:

CFM & SPEED $\pm 4\%$; PRESSURE $\pm 8\%$; POWER $\pm 12\%$

3.020 IN. I.D. DUCT



general specification



2421 Bga Drive · Claremont, NC 28610
 (828) 548-3192 · (714) 540-1000
 www.daesyst.com · cs@daesyst.com

MODEL : M2971G500-9A FAN AND HEATER

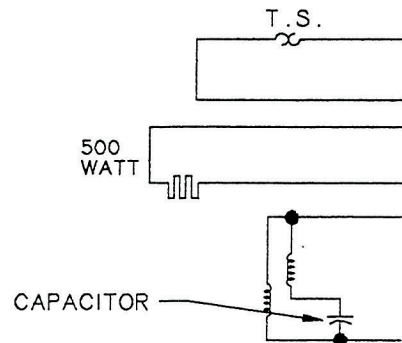
FEATURES

HEATER RATING	500	WATTS
HEATER POWER	115 VAC/1 PH/400 HZ	
FAN POWER	115 VAC/1 PH/400 HZ	
SPEED	11,550 RPM	
THERMAL SWITCH	YES	CLOSE 170°F OPEN 205°F
EMI FILTER	NO	
HOUSING FINISH	STEEL CADMIUM PLATE	
PROPELLER FINISH	ALUMINUM ZINC CHROMATE PRIMER, BLACK LACQUER TOPCOAT	
CAPACITOR FINISH	STEEL TIN PLATE, ZINC CHROMATE PRIMER, BLACK LACQUER TOPCOAT	

PHYSICAL CHARACTERISTICS

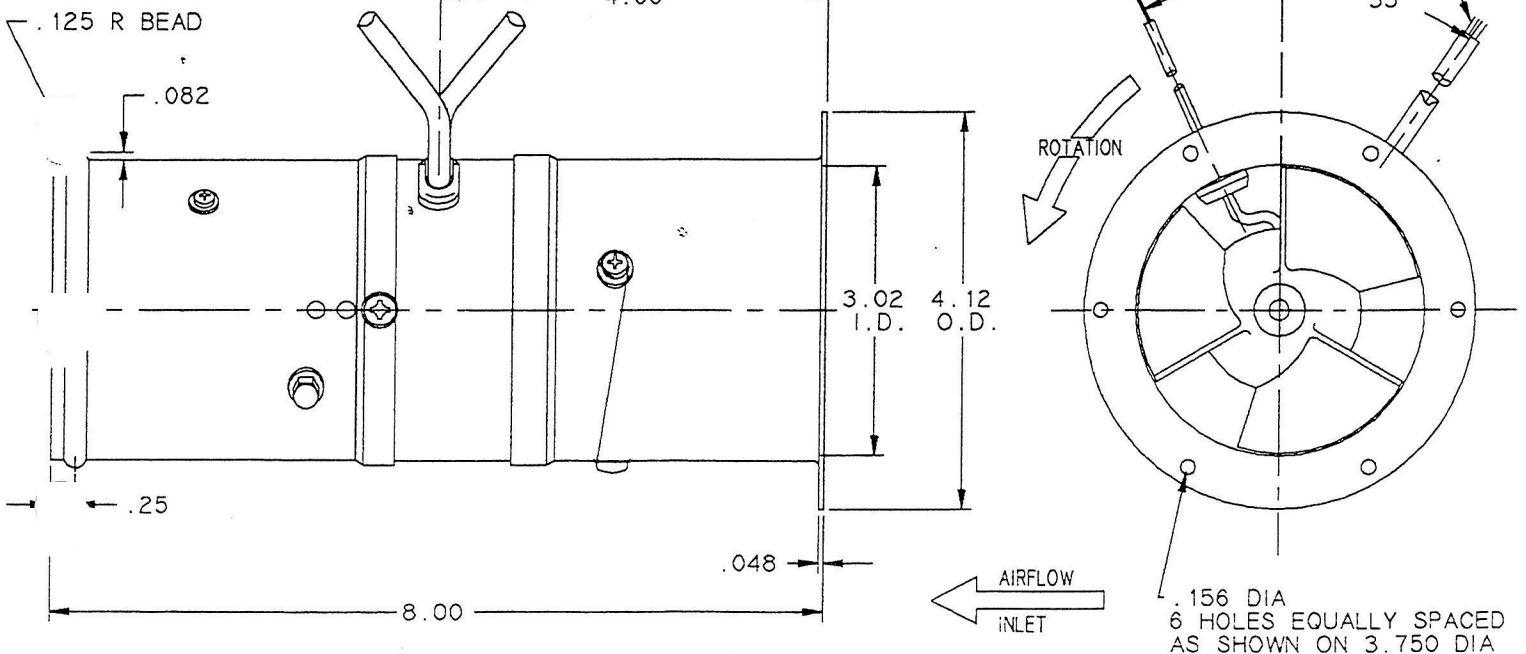
WEIGHT	3.5	LBS
NOISE	77	dBA

WIRING SCHEMATIC



HEATER LEADS
 (NO. 18 A.W.G. ELECTRICAL LEADS
 PER MIL-W-16875, TYPE E)
 48.00 MIN LONG

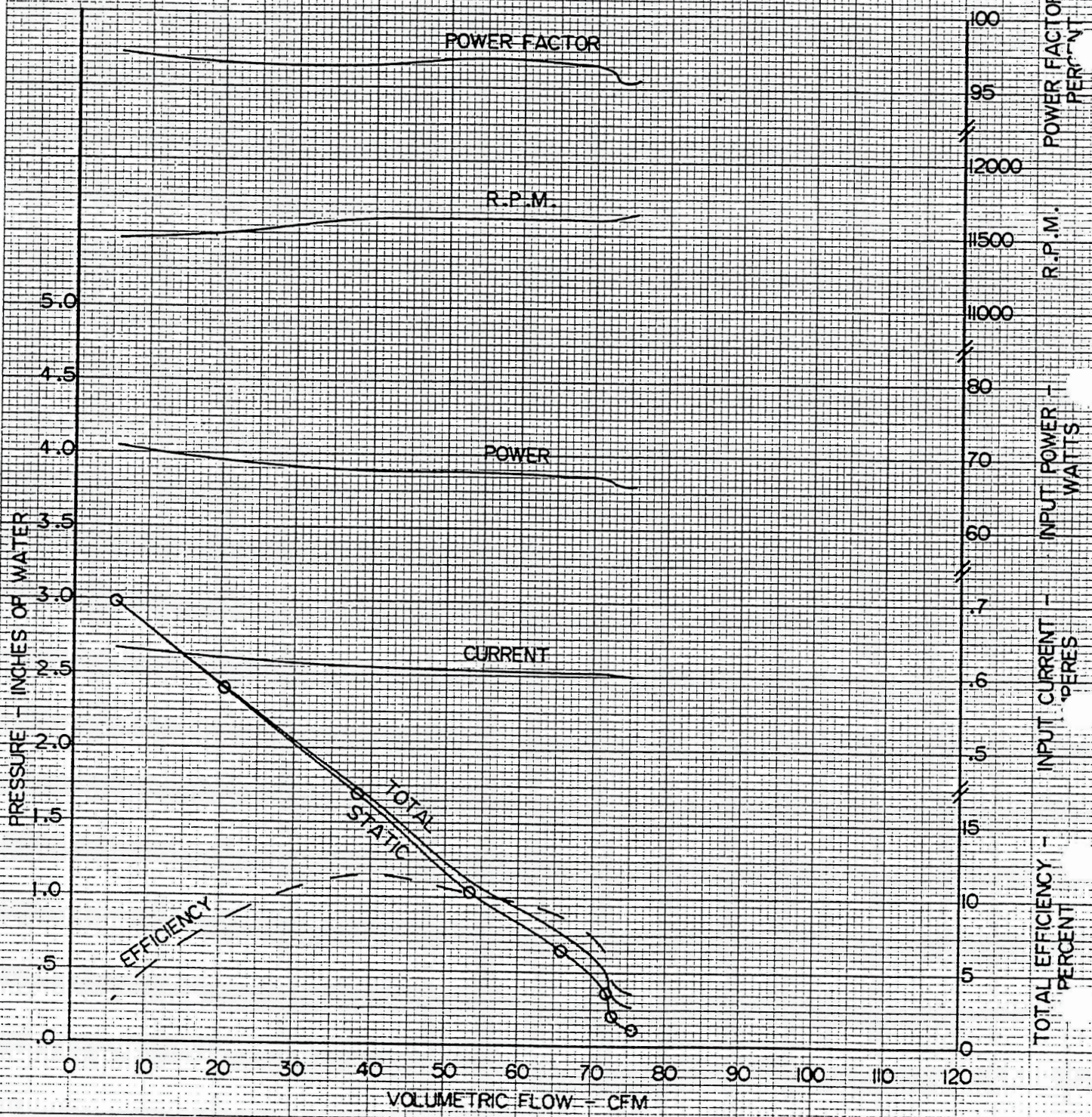
HEATER LEADS
 (NO. 22 A.W.G. ELECTRICAL LEADS
 PER MIL-W-16875, TYPE E)
 48.00 MIN LONG



1ST STAGE PROP. No. 1500-44 DIA. 2.970 UNVENT
 2ND STAGE PROP. No. _____ DIA. _____
 MOTOR MODEL M154BFC
 POWER SOURCE 115.0 VAC, 400.0 HZ, 1 PHASE, .000 UF
 CORRECTED TO 59.0 °F. TEMP. .07650 DENSITY

No. Y2971-62
 DATE 3-22-73
 MODEL No. M2971G500-5

MANUFACTURING TOLERANCES:
 CFM & SPEED $\pm 3\%$; PRESSURE $\pm 5\%$; POWER $\pm 9\%$
 3.000 IN. I.D. DUCT
 FAN MODEL M2971B-9J
 HEATER MODEL H3001F-6B
 HEATER RATING 350W



general specification



2421 Bga Drive · Claremont, NC 28610
 (828) 548-3192 · (714) 540-1000
 www.daesyst.com · cs@daesyst.com

MODEL : M2971K500-3

FAN AND HEATER

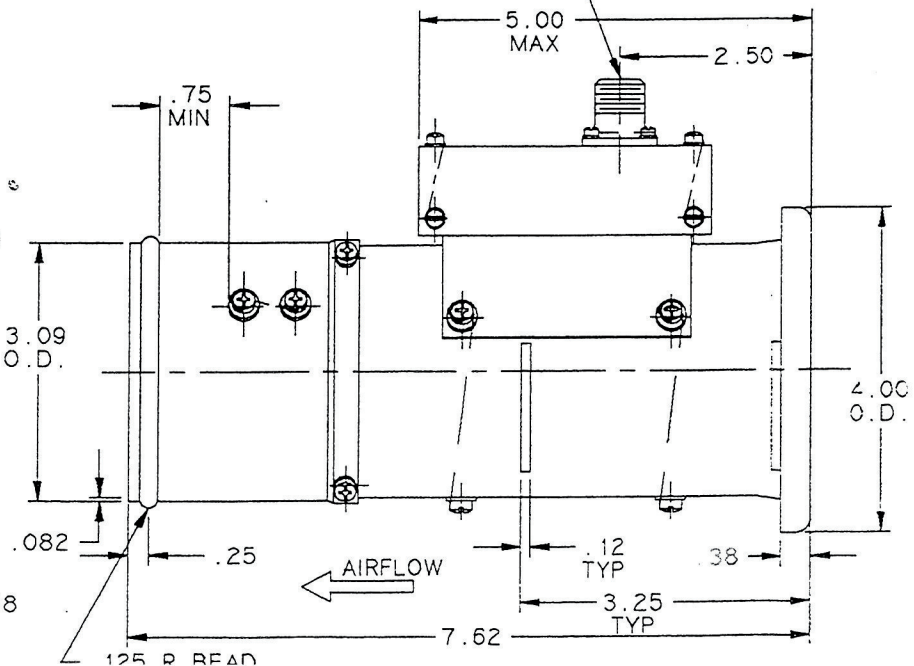
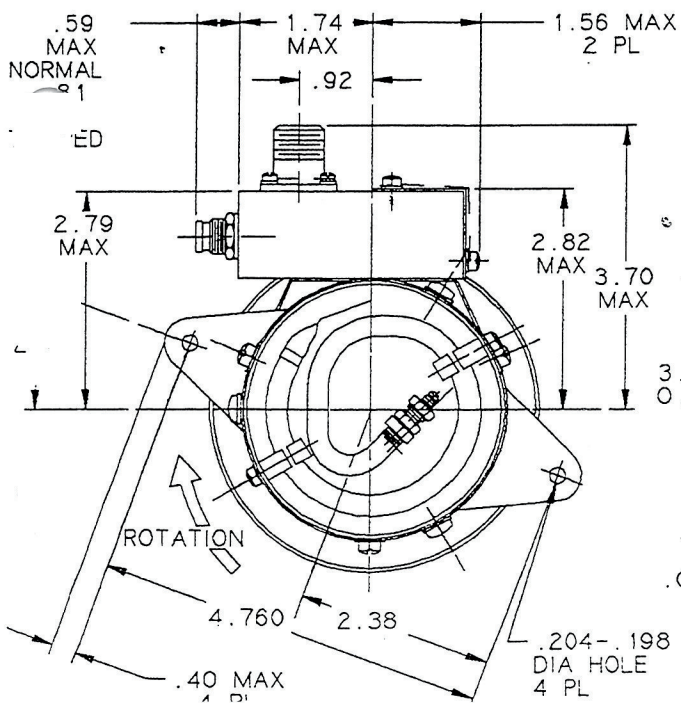
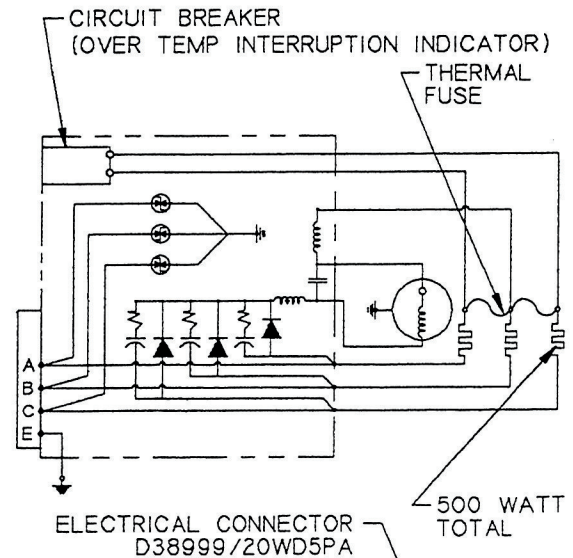
FEATURES

HEATER RATING	500 WATTS
HEATER POWER	208 VAC/3 PH/60 HZ
FAN POWER	208 VAC/3 PH/60 HZ
SPEED	11,700 RPM
THERMAL SWITCH	YES OPEN 246 °F
EMI FILTER	YES
HOUSING FINISH	STEEL CADMIUM PLATE ZINC CHROMATE PRIMER, BLACK LACQUER TOPCOAT
PROPELLER FINISH	ALUMINUM ZINC CHROMATE PRIMER, BLACK LACQUER TOPCOAT
FILTER FINISH	STEEL TIN PLATE ZINC CHROMATE PRIMER BLACK LACQUER TOPCOAT
SPECIAL FEATURES	CIRCUIT BREAKER RECTIFIER

PHYSICAL CHARACTERISTICS

WEIGHT	4.13 LBS
NOISE	76 dBA

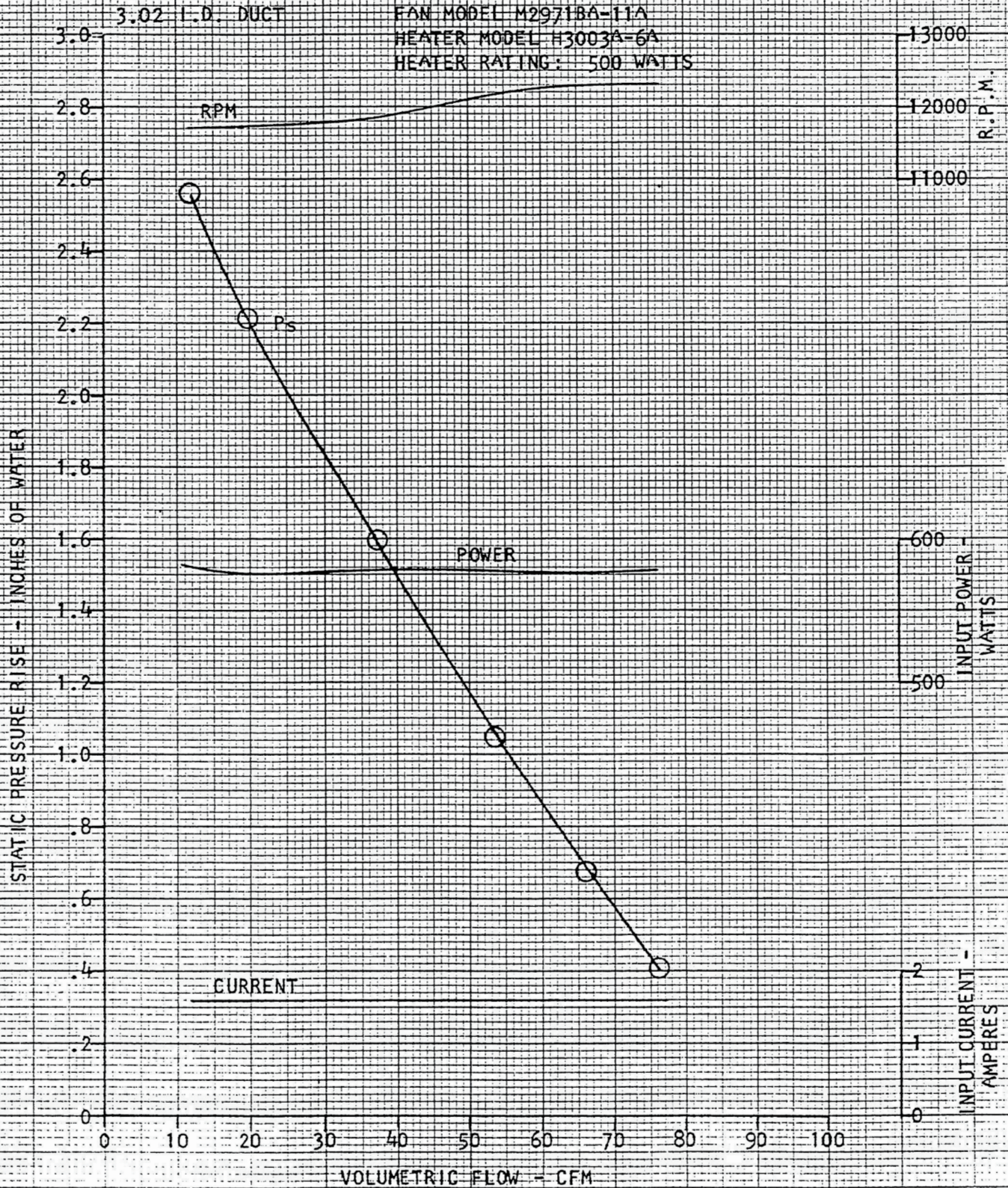
WIRING SCHEMATIC



1ST STAGE PROP No. 5964-2 DIA. 2.970
 2ND STAGE PROP No. _____ DIA. _____
 MOTOR MODEL M3168 (RECTIFIED DC)
 POWER SOURCE 208 VAC/60 HZ/3 Ø
 CORRECTED TO 59 °F. TEMP. .0765 DENSITY
 MANUFACTURING TOLERANCES:

No. Y2971-78
 DATE 3-27-90
 MODEL No. M2971K500-3

CFM & SPEED ±5% PRESSURE ±6% POWER ±8%



general specification



2421 Bga Drive · Claremont, NC 28610
 (828) 548-3192 · (714) 540-1000
 www.daesyst.com · cs@daesyst.com

MODEL : M3022-911

FAN AND HEATER

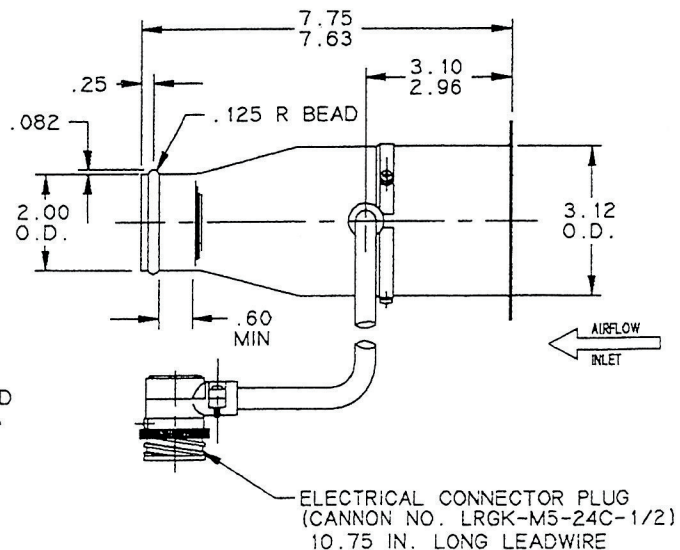
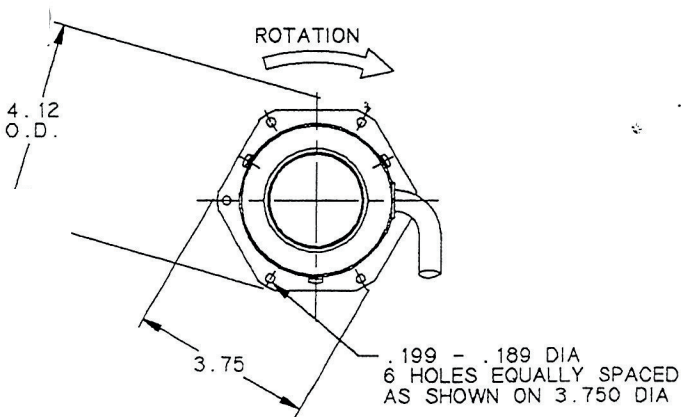
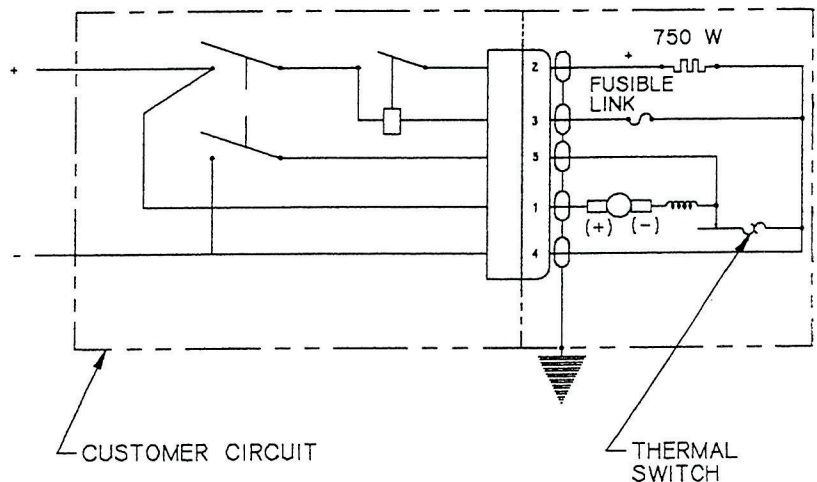
FEATURES

HEATER RATING	750 WATTS
HEATER POWER	27 VDC
FAN POWER	27 VDC
SPEED	12,500 RPM
THERMAL SWITCH	YES CLOSE 230°F ±8° OPEN 190°F ±8°
HEATER FUSIBLE LINK	OPENS 450°F
EMI FILTER	NO
HOUSING FINISH	STEEL CADMIUM PLATE
PROPELLER FINISH	ALUMINUM ZINC CHROMATE PRIMER, BLACK LACQUER TOPCOAT

PHYSICAL CHARACTERISTICS

WEIGHT	2.4 LBS
NOISE	70 dBA

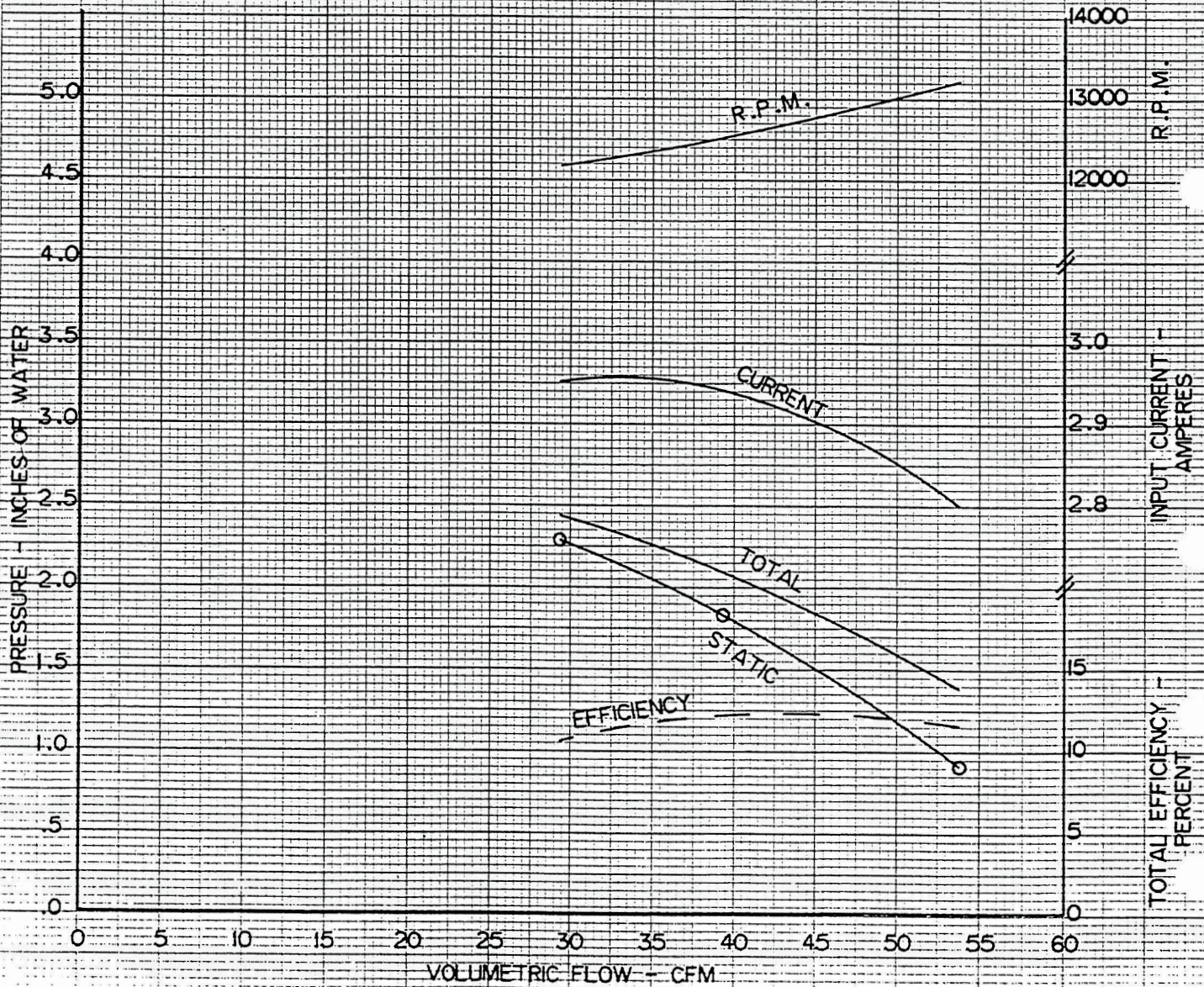
WIRING SCHEMATIC



1ST STAGE PROP NO. 1500-44 DIA. 2.970 UNVENT
 2ND STAGE PROP NO. _____ DIA. _____
 MOTOR MODEL M311C
 POWER SOURCE 27.0 VDC
 CORRECTED TO 59.0 °F TEMP. 07650 DENSITY
MANUFACTURING TOLERANCES:
 CFM & SPEED ±4% PRESSURE ±8% POWER ±12%

NO. X3022-1
 DATE 4-23-52
 MODEL NO. M3022-911

1.940 IN. I.D. DUCT
 FAN MODEL M2971D-9A
 HEATER MODEL H3006A-6
 HEATER RATING 750W



general specification



2421 Bga Drive · Claremont, NC 28610
 (828) 548-3192 · (714) 540-1000
 www.daesyst.com · cs@daesyst.com

MODEL : M3171A600-6A

FAN AND HEATER

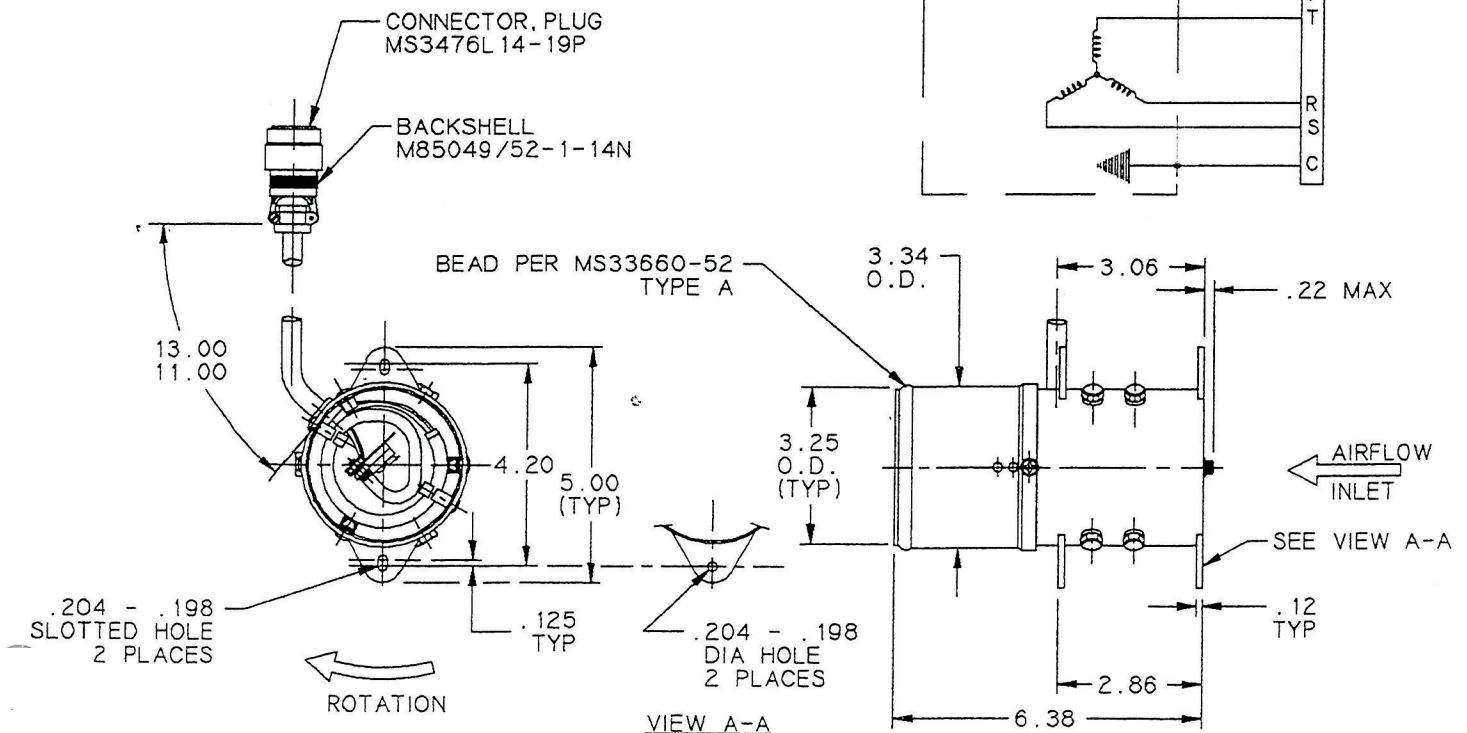
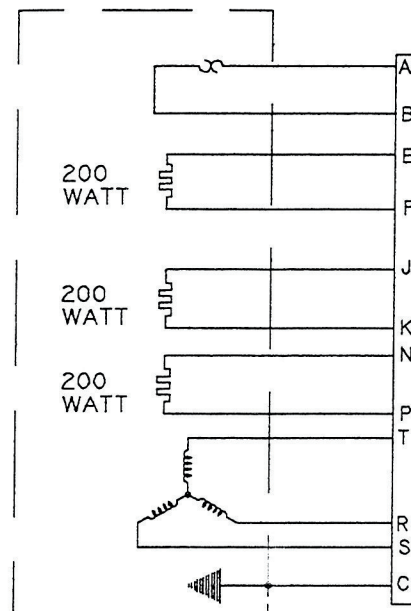
FEATURES

HEATER RATING	600	WATTS
HEATER POWER	115 VAC/3 PH/400 HZ	
FAN POWER	200 VAC/3 PH/400 HZ	
SPEED	11,400 RPM	
THERMAL SWITCH	YES	CLOSE 145°F ±10°F OPEN 195°F ±5°F
EMI FILTER	NO	
HOUSING FINISH	STEEL	CADMIUM PLATE, DULL BLACK TOPCOAT
PROPELLER FINISH	ALUMINUM	CHEMICAL CONVERSION COATING, ZINC CHROMATE PRIMER, BLACK LACQUER TOPCOAT

PHYSICAL CHARACTERISTICS

WEIGHT	3.2	LBS
NOISE	80	dBA

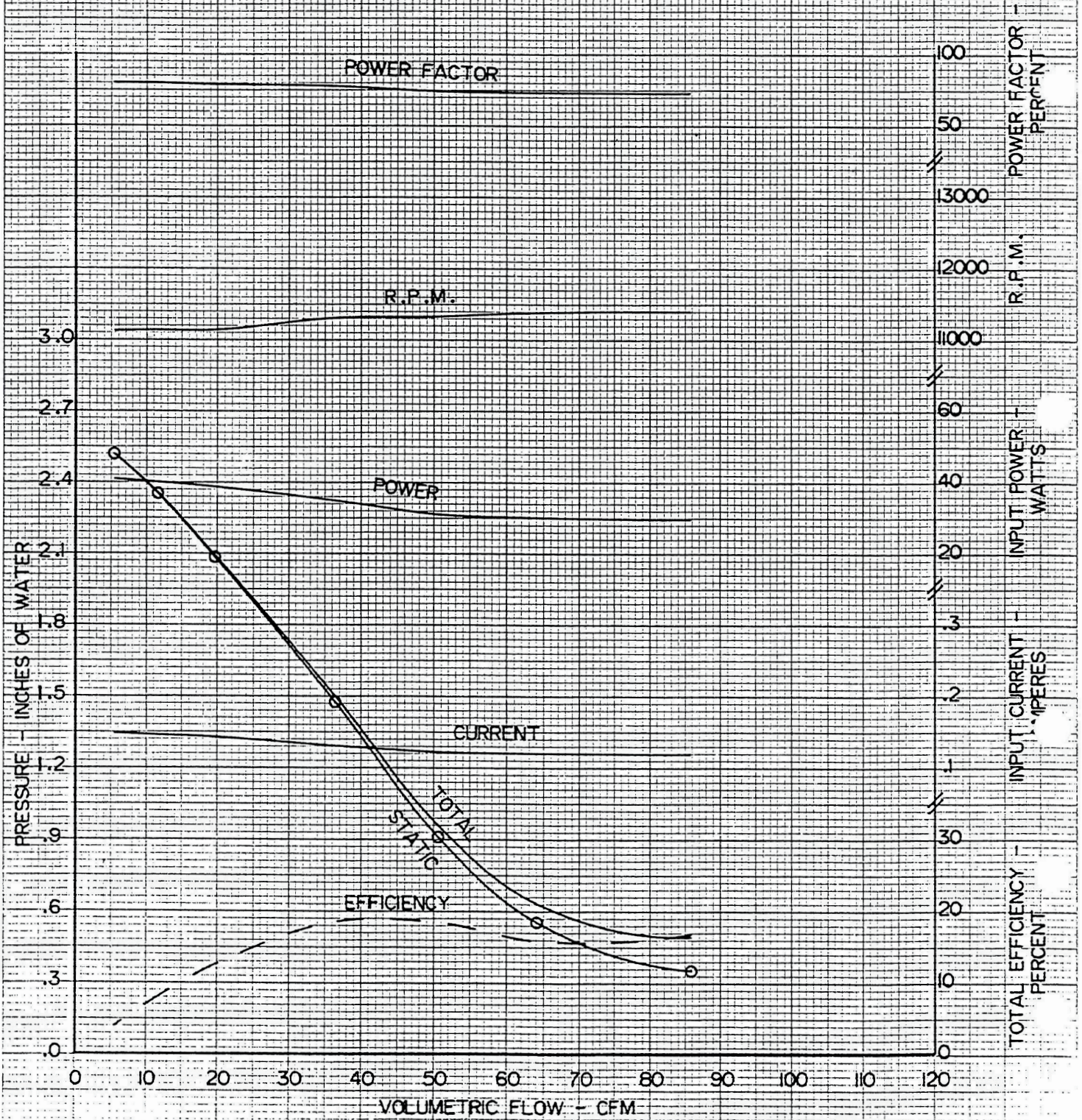
WIRING SCHEMATIC



1ST STAGE PROP NO. 2766-31 DIA. 3.170 UNVENT
 2ND STAGE PROP NO. _____ DIA. _____
 MOTOR MODEL M16143BD CLOSED
 POWER SOURCE 200.0 VAC, 400.0 HZ, 3 PHASE, .000 UF
 CORRECTED TO 59.0 °F. TEMP. .07650 DENSITY

NO. Y3171-35
 DATE 4-4-83
 MODEL No. M3171A600-6

MANUFACTURING TOLERANCES:
 CFM & SPEED ±3% PRESSURE ±6% POWER ±8%
 3.250 IN. I.D. DUCT



general specification



2421 Bga Drive · Claremont, NC 28610
 (828) 548-3192 · (714) 540-1000
 www.daesyst.com · cs@daesyst.com

MODEL : M3171D1200-6B FAN AND HEATER

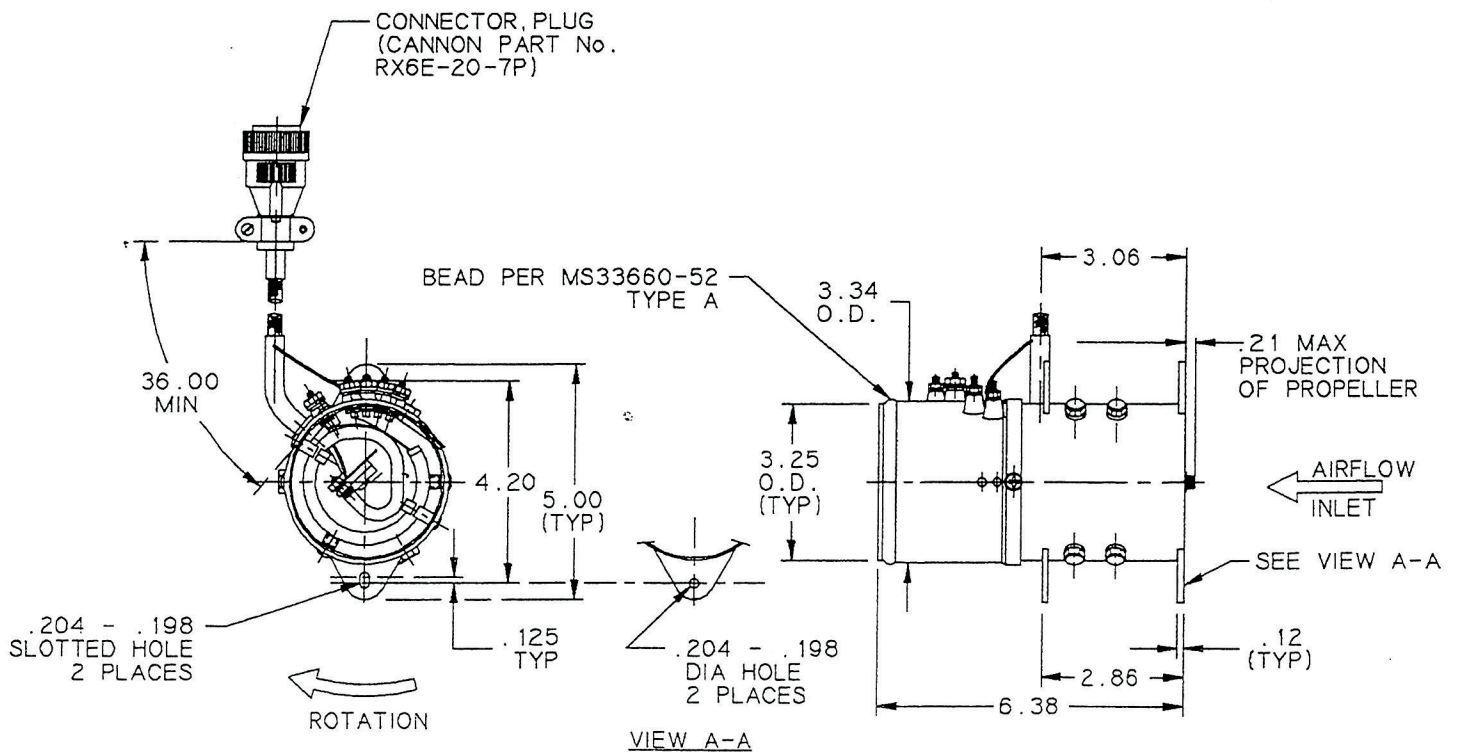
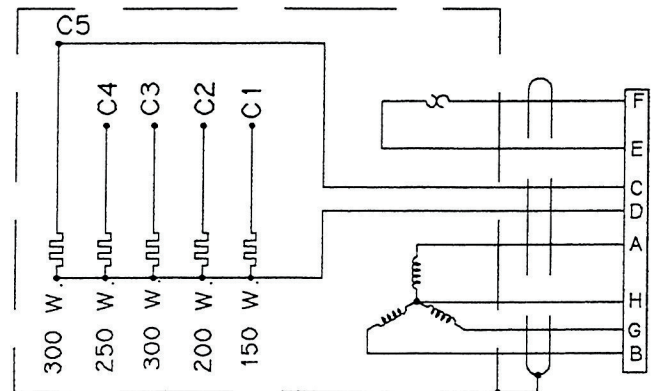
FEATURES

HEATER RATING	1200 WATTS
HEATER POWER	115 VAC/1 PH/400 HZ
FAN POWER	200 VAC/3 PH/400 HZ
SPEED	23,200 RPM
THERMAL SWITCH	YES CLOSE 145°F ±10°F OPEN 195°F ±10°F
EMI FILTER	NO
HOUSING FINISH	STEEL CADMIUM PLATE, DULL BLACK TOPCOAT
PROPELLER FINISH	ALUMINUM ZINC CHROMATE PRIMER, BLACK LACQUER TOPCOAT

PHYSICAL CHARACTERISTICS

WEIGHT	3.6 LBS
NOISE	91 dBA

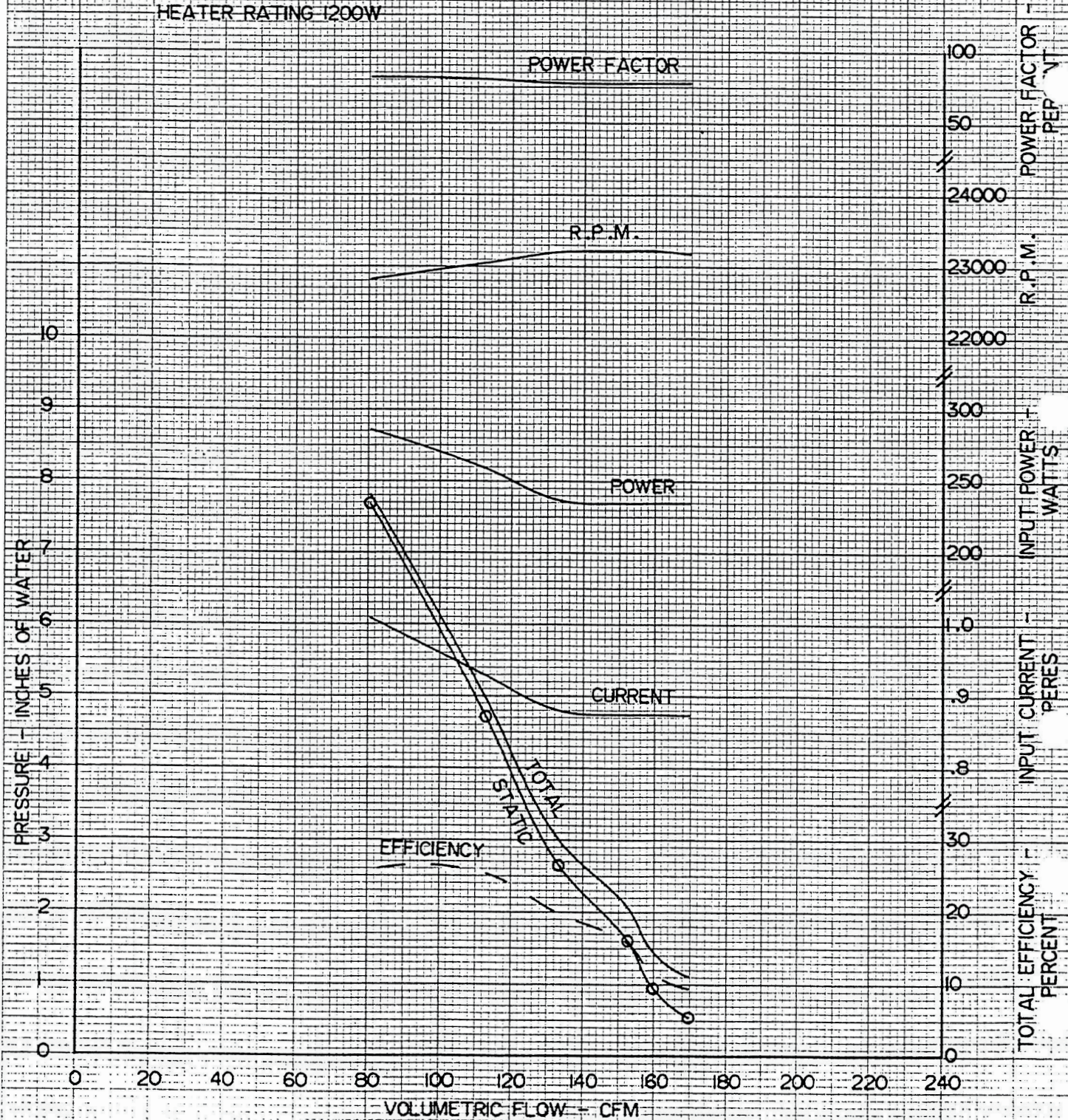
WIRING SCHEMATIC



1ST STAGE PROP No. 2766-31 DIA 3.170 UNVENT
 2ND STAGE PROP No. _____ DIA _____
 MOTOR MODEL MIG143AGA _____
 POWER SOURCE 200.0 VAC, 400.0 HZ, 3 PHASE, _____
 CORRECTED TO 59.0 °F. TEMP -07650 DENSITY _____

No. Y3171-31
 DATE 11-2-77
 MODEL No. M3171D1200-31

MANUFACTURING TOLERANCES:
 CFM & SPEED ±3% PRESSURE ±6% POWER ±2%
 3.250 IN. I.D. DUCT
 FAN MODEL M3171B-6A
 HEATER MODEL H3255A-6A
 HEATER RATING 1200W



general specification



2421 Bga Drive · Claremont, NC 28610
 (828) 548-3192 · (714) 540-1000
 www.daesyst.com · cs@daesyst.com

MODEL : M3171D600-6C

FAN AND HEATER

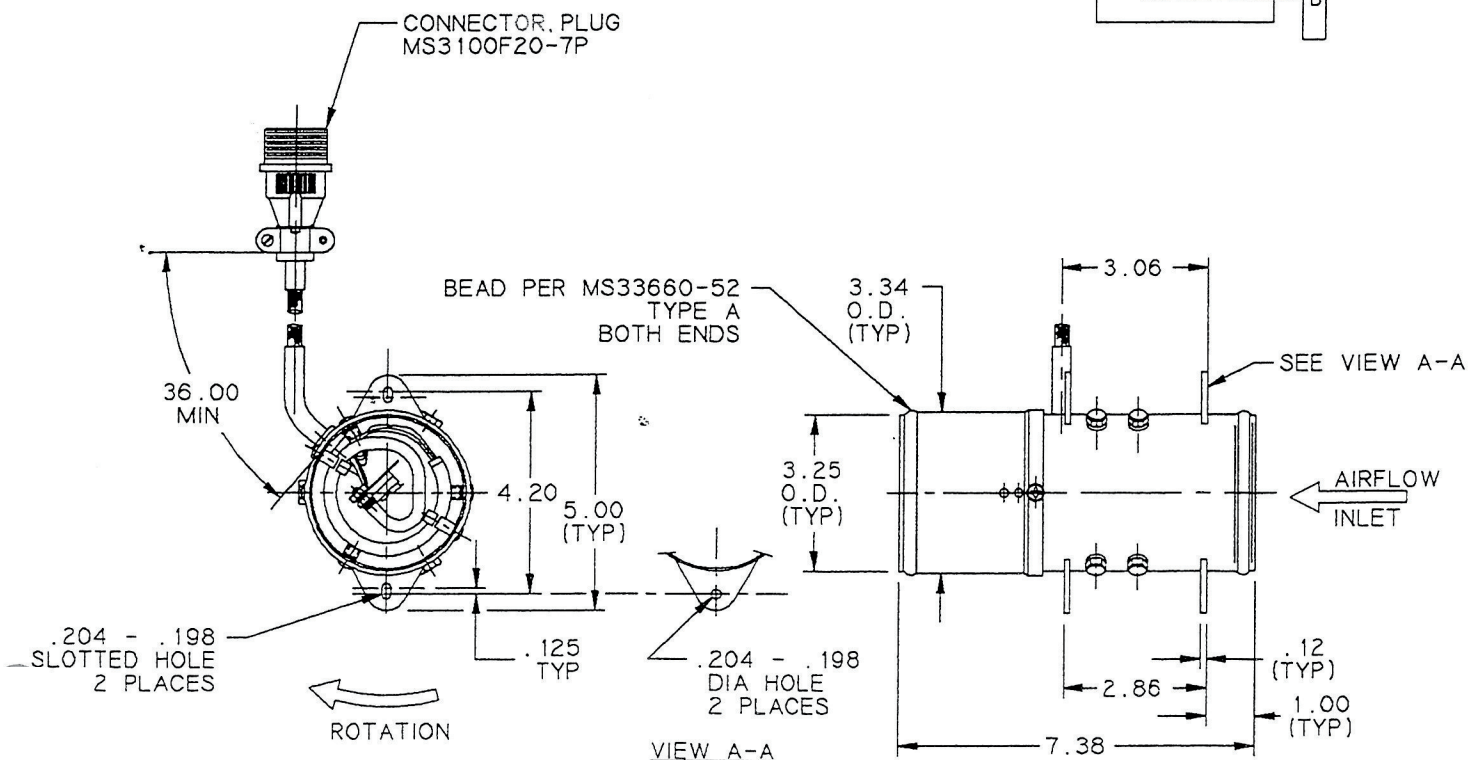
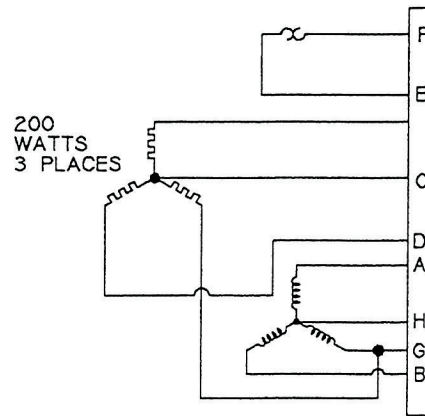
FEATURES

HEATER RATING	600	WATTS
HEATER POWER	200	VAC/3 PH/400 HZ
FAN POWER	200	VAC/3 PH/400 HZ
SPEED	22,800	RPM
THERMAL SWITCH	YES	CLOSE 145°F ±10°F OPEN 195°F ±5°F
EMI FILTER	NO	
HOUSING FINISH	STEEL	CADMIUM PLATE, DULL BLACK TOPCOAT
PROPELLER FINISH	ALUMINUM	ZINC CHROMATE PRIMER, BLACK LACQUER TOPCOAT

PHYSICAL CHARACTERISTICS

WEIGHT	3.5	LBS
NOISE	91	dBA

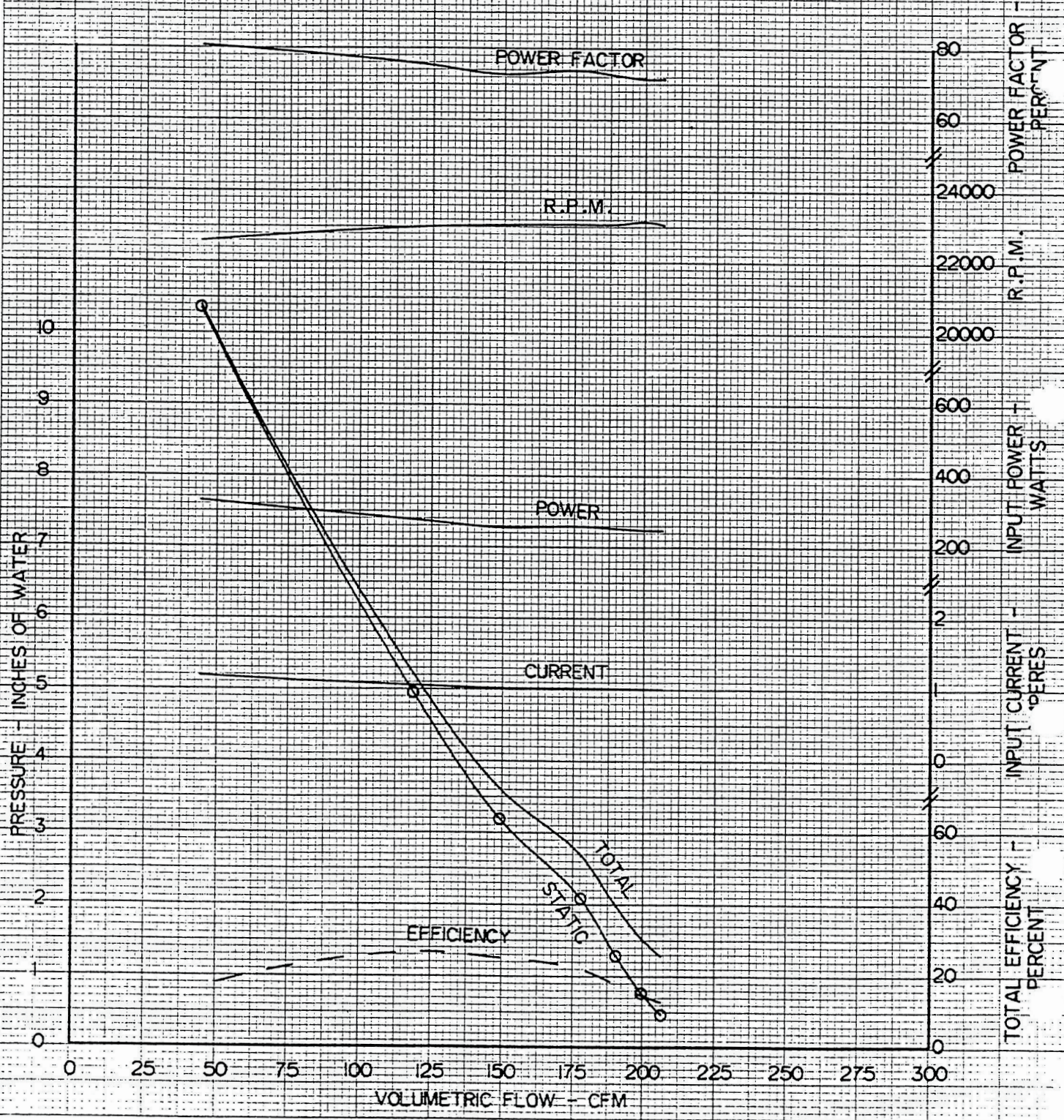
WIRING SCHEMATIC



1ST STAGE PROP. No. 2766-31 DIA. 3.170 UNVENT
 2ND STAGE PROP. No. _____ DIA. _____
 MOTOR MODEL M16143AG _____ CLOSED
 POWER SOURCE 200.0 YAC, 400.0 HZ, 3 PHASE, _____ .000 UF
 CORRECTED TO 59.0 OF TEMP. .07650 DENSITY

No. Y3171-20
 DATE 9-4-69
 MODEL No. M3171D600-6L

MANUFACTURING TOLERANCES:
 CFM & SPEED $\pm 3\%$; PRESSURE $\pm 5\%$; POWER $\pm 9\%$
 3.250 IN. I.D. DUCT



general specification



2421 Bga Drive · Claremont, NC 28610
 (828) 548-3192 · (714) 540-1000
 www.daesyst.com · cs@daesyst.com

MODEL : M3171A750-6A

FAN AND HEATER

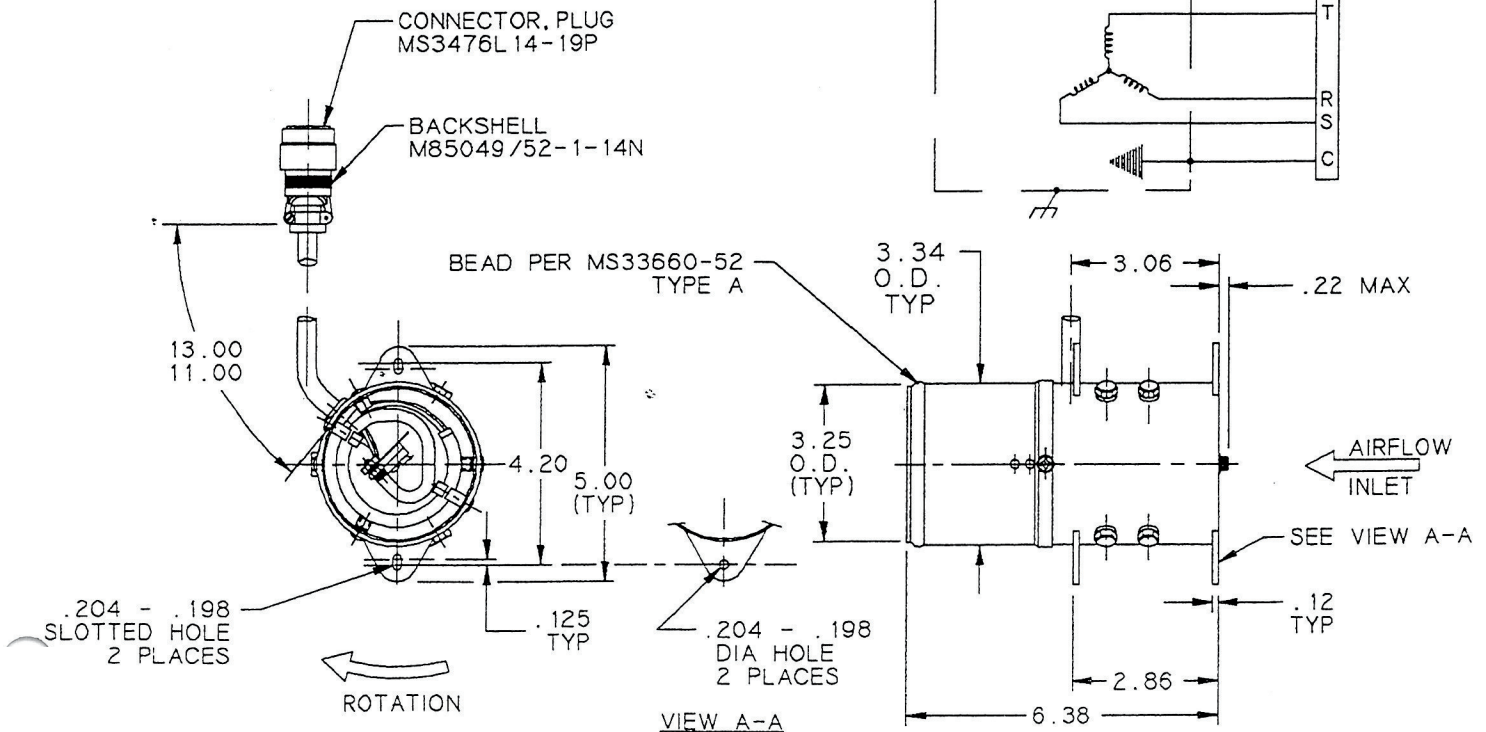
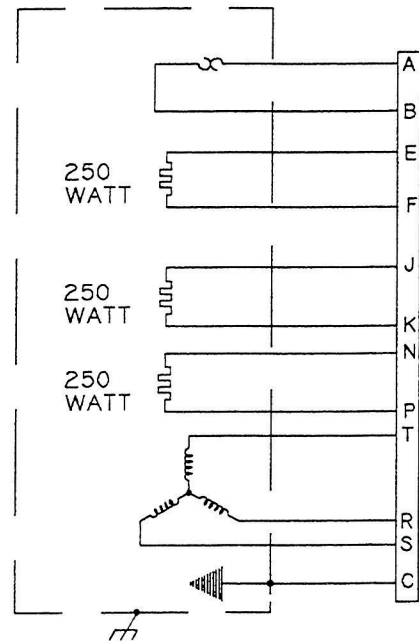
FEATURES

HEATER RATING	750	WATTS
HEATER POWER	115 VAC/3 PH/400 HZ	
FAN POWER	200 VAC/3 PH/400 HZ	
SPEED	11,400 RPM	
THERMAL SWITCH	YES	CLOSE 145°F ±10°F OPEN 195°F ±5°F
EMI FILTER	NO	
HOUSING FINISH	STEEL	CADMIUM PLATE, DULL BLACK TOPCOAT
PROPELLER FINISH	ALUMINUM	CHEMICAL CONVERSION COATING, ZINC CHROMATE PRIMER, BLACK LACQUER TOPCOAT

PHYSICAL CHARACTERISTICS

WEIGHT	3.2	LBS
NOISE	80	dBA

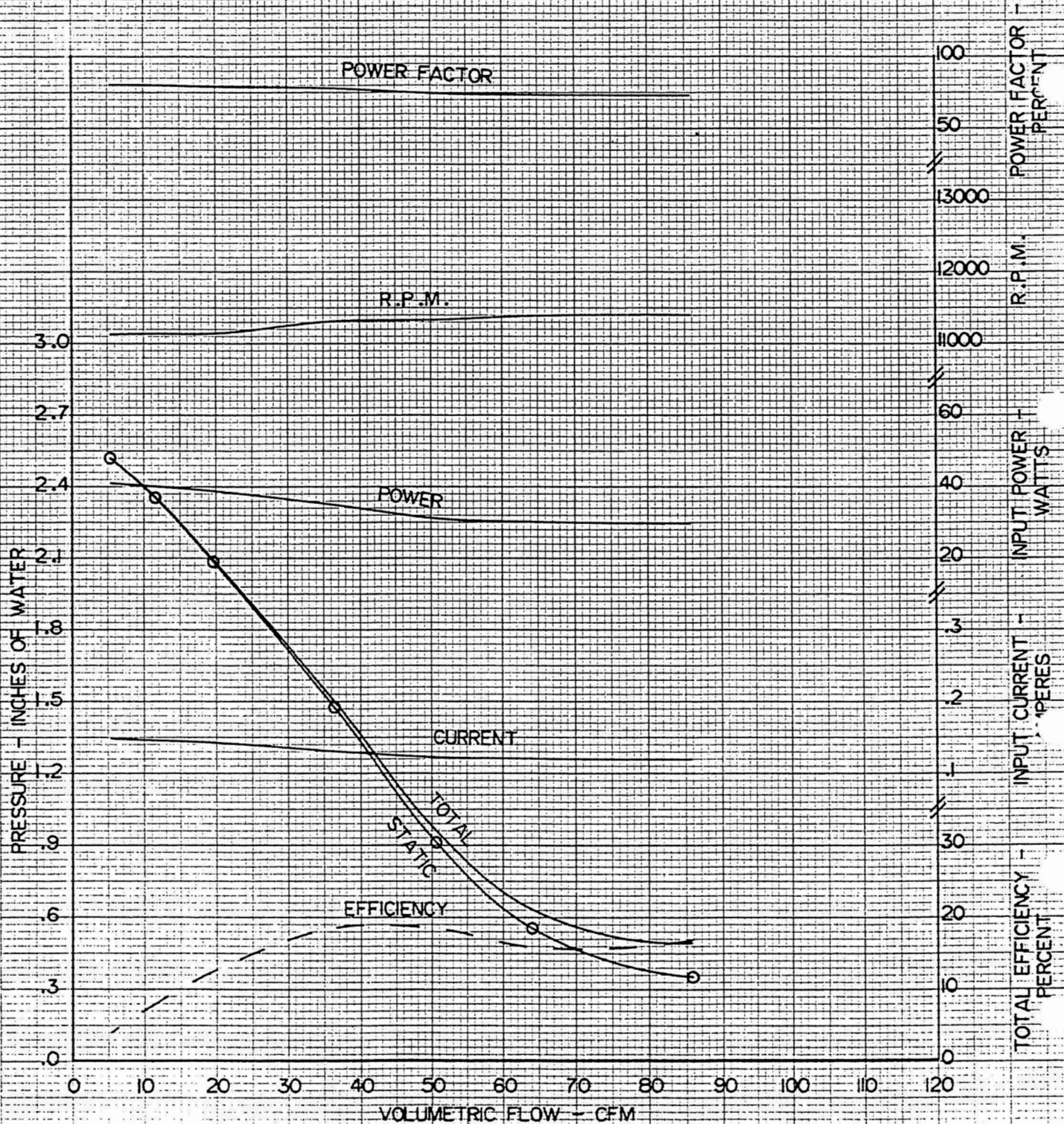
WIRING SCHEMATIC



1ST STAGE PROP. No. 2766-31 DIA. 3.170 UNVENT
 2ND STAGE PROP. No. _____ DIA. _____
 MOTOR MODEL M16143BD _____ CLOSED
 POWER SOURCE 200.0 VAC, 400.0 HZ, 3 PHASE, _____ .000 UF
 CORRECTED TO 59.0 °F. TEMP. 07650 DENSITY _____

No. Y3171-35
 DATE 4-4-83
 MODEL No. M3171A/750-6

MANUFACTURING TOLERANCES:
 CFM & SPEED ±3%; PRESSURE ±5%; POWER ±9%
 3.250 IN. I.D. DUCT



general specification



2421 Bga Drive · Claremont, NC 28610
 (828) 548-3192 · (714) 540-1000
 www.daesyst.com · cs@daesyst.com

MODEL: M4641E1200-9A FAN AND HEATER

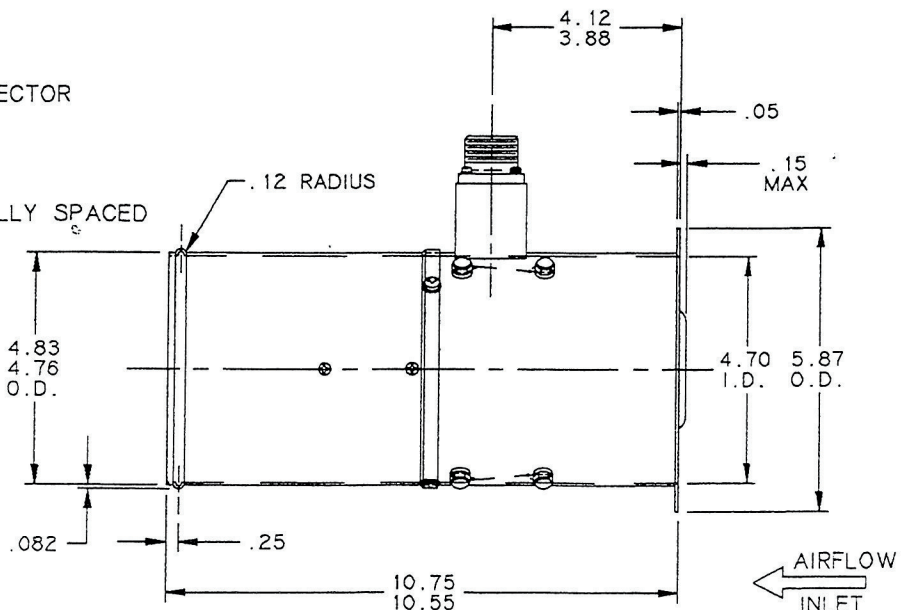
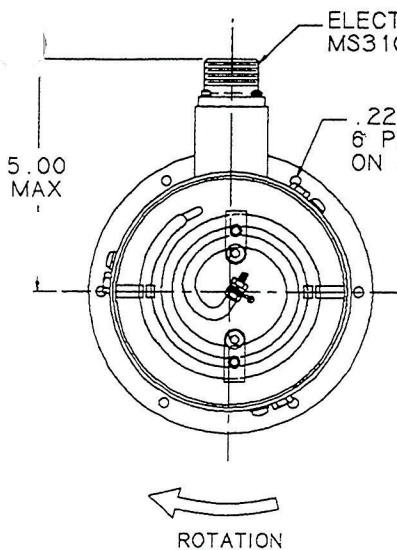
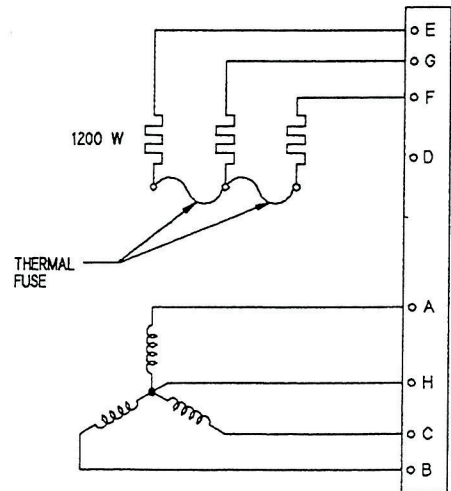
FEATURES

HEATER RATING	1200 WATTS
HEATER POWER	200 VAC/3 PH/400 HZ
FAN POWER	200 VAC/3 PH/400 HZ
SPEED	10,900 RPM
THERMAL SWITCH	YES OPEN 336 °F
EMI FILTER	NO
HOUSING FINISH	CARBON STEEL CADMIUM PLATE EPOXY POLYAMIDE PRIMER, WHITE POLYURETHANE ENAMEL TOPCOAT (EXTERIOR)
PROPELLER FINISH	ALUMINUM ZINC CHROMATE PRIMER, BLACK LACQUER TOPCOAT
CONNECTOR TOWER FINISH	ALUMINUM ANODIZE EPOXY POLYAMIDE PRIMER, WHITE POLYURETHANE ENAMEL TOPCOAT (EXTERIOR)

PHYSICAL CHARACTERISTICS

WEIGHT 6.2 LBS
 NOISE 81 dBA

WIRING SCHEMATIC

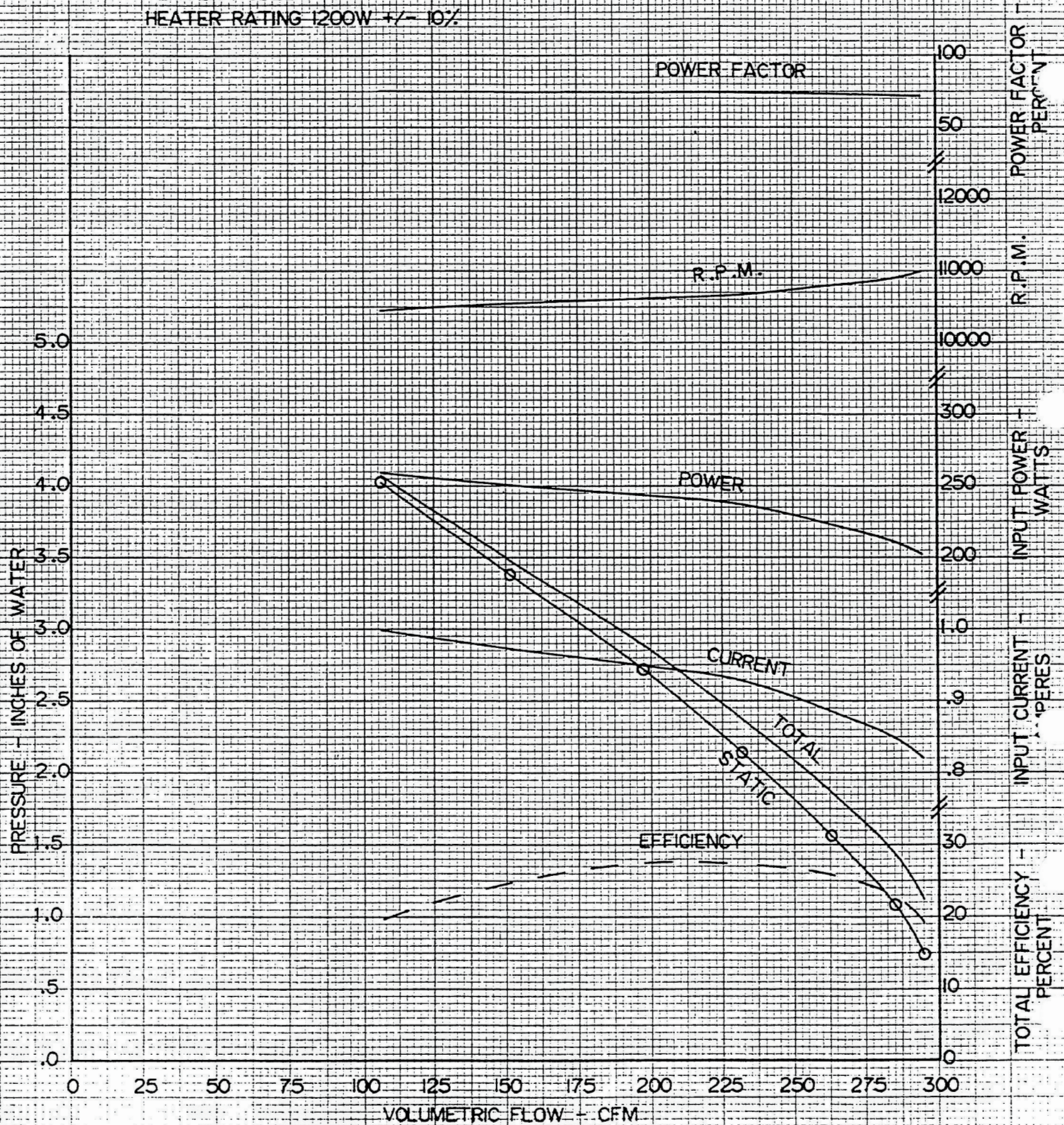


1ST STAGE PROP NO. 3503-13 DIA. 4.640 UNVENT
 2ND STAGE PROP NO. _____ DIA. _____
 MOTOR MODEL M16283BB NO NO
 POWER SOURCE 200.0 VAC, 400.0 HZ, 3 PHASE, .000 UF
 CORRECTED TO 59.0 °F. TEMP. .07650 DENSITY

No. Y4641-85
 DATE 4-19-96
 MODEL No. M4641E1200-5

MANUFACTURING TOLERANCES:

CFM & SPEED $\pm 3\%$; PRESSURE $\pm 6\%$; POWER $\pm 10\%$
 4.700 IN. I.D. DUCT
 FAN MODEL M4641R-9B
 HEATER MODEL H4703C-6
 HEATER RATING 1200W $\pm 10\%$



general specification



2421 Bga Drive · Claremont, NC 28610
(828) 548-3192 · (714) 540-1000
www.daesyst.com · cs@daesyst.com

MODEL: M464 1E2500-9

FAN AND HEATER

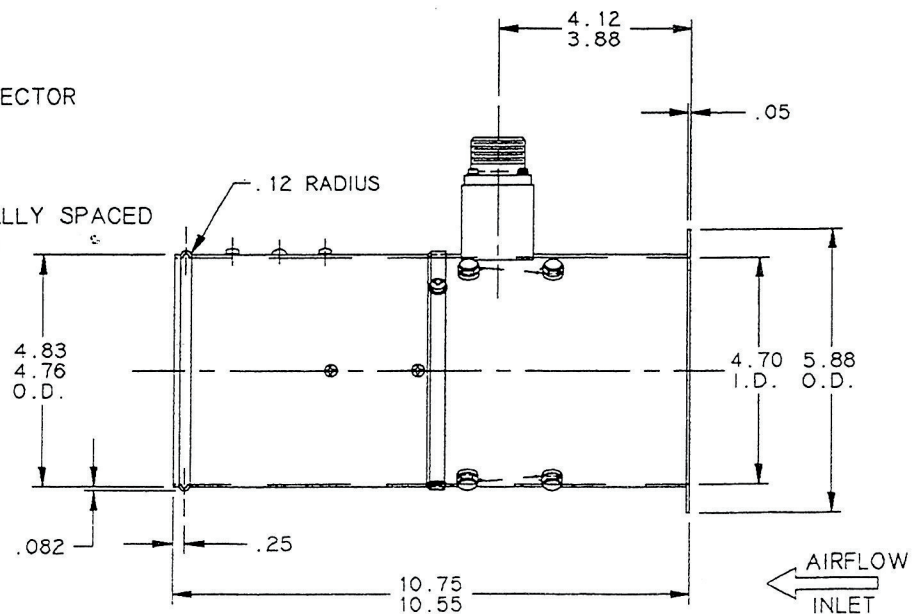
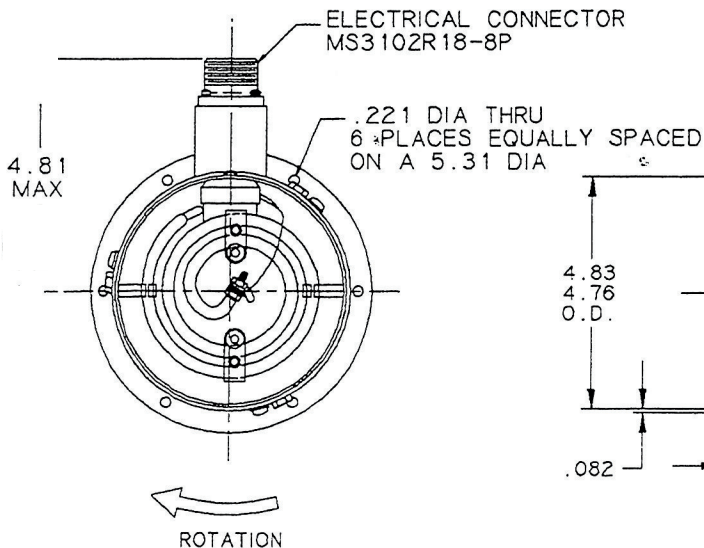
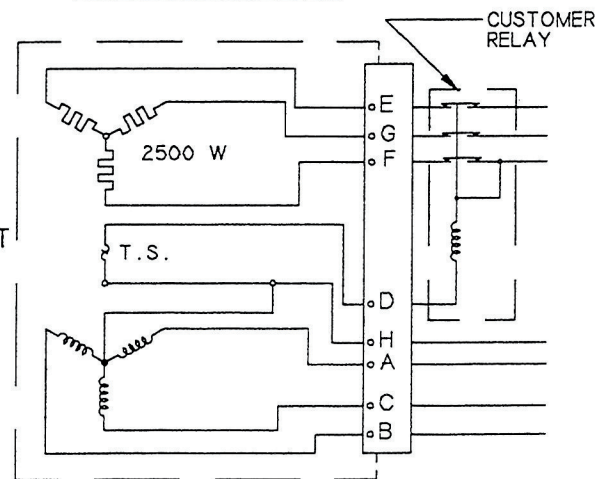
FEATURES

HEATER RATING	2500 WATTS
HEATER POWER	200 VAC/3 PH/400 HZ
FAN POWER	200 VAC/3 PH/400 HZ
SPEED	10,900 RPM
THERMAL SWITCH	YES OPEN 350°F
EMI FILTER	NO
HOUSING FINISH	CARBON STEEL CADMIUM PLATE EPOXY POLYAMIDE PRIMER, WHITE POLYURETHANE ENAMEL TOPCOAT (EXTERIOR)
PROPELLER FINISH	ALUMINUM ZINC CHROMATE PRIMER, BLACK LACQUER TOPCOAT
CONNECTOR TOWER FINISH	ALUMINUM ANODIZE EPOXY POLYAMIDE PRIMER, WHITE POLYURETHANE ENAMEL TOPCOAT (EXTERIOR)

PHYSICAL CHARACTERISTICS

WEIGHT	6.2 LBS
NOISE	81 dBA

WIRING SCHEMATIC



1ST STAGE PROP NO. 350313 DIA. 4.640 UNVENT
 2ND STAGE PROP NO. M16283BB DIA. NO
 MOTOR MODEL 200.0 VAC, 400.0 HZ, 3 PHASE, .000 UF
 CORRECTED TO 59.0 °F. TEMP. .07650 DENSITY

NO. Y4641-59
 DATE 8-12-75
 MODEL NO. M4641E2500

MANUFACTURING TOLERANCES:

CFM & SPEED ±3% PRESSURE ±6% POWER ±8%
 4.700 IN. I.D. DUCT
 FAN MODEL M4641R-9B
 HEATER MODEL H4703B-6
 HEATER RATING 2500W

