

general specification



2421 Bga Drive · Claremont, NC 28610
(828) 548-3192 · (714) 540-1000
www.daesyst.com · cs@daesyst.com

MODEL: M2971W-1A

TUBEAXIAL FAN

FEATURES

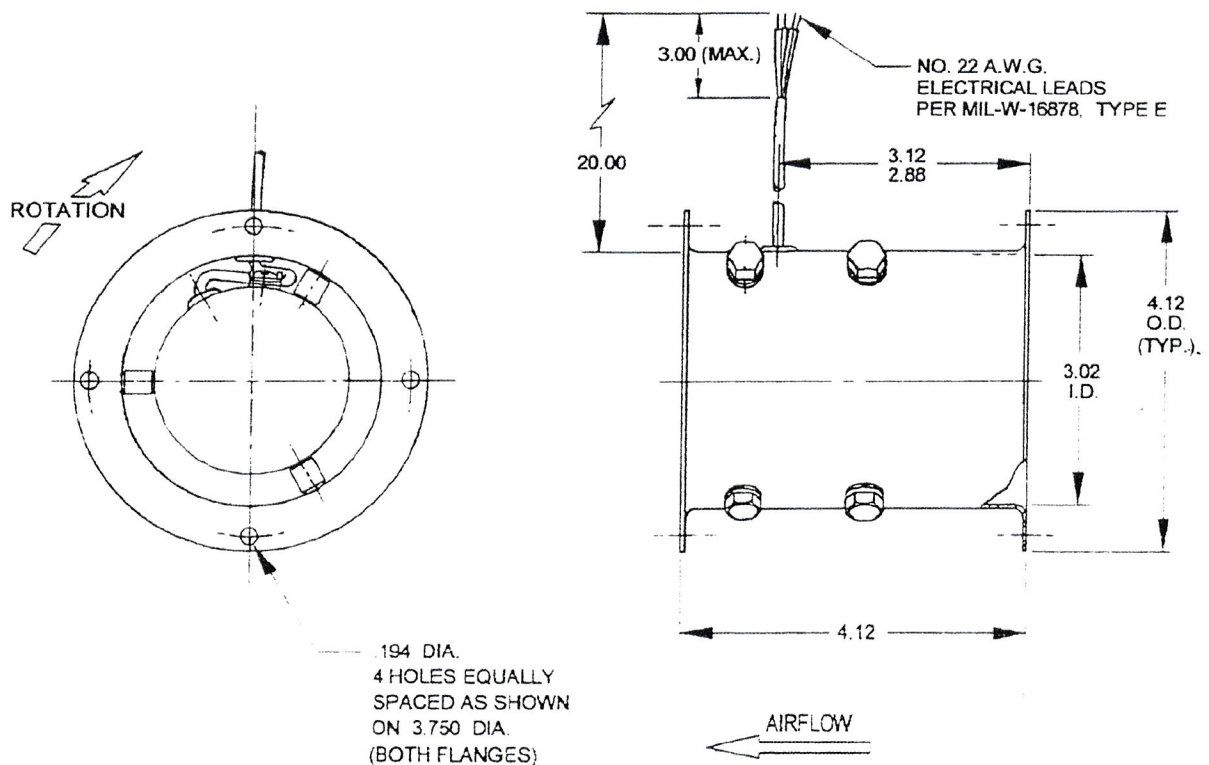
MOTOR MODEL: M16143B1
MOTOR TYPE: CLOSED
INPUT POWER: 200 VAC/3 PHASE/400 HZ
SPEED: 11,500 RPM
THERMAL PROTECTOR: NO
EMI FILTER: NO
HOUSING FINISH: CARBON STEEL WITH
CADMIUM PLATE
ZINC CHROMATE PRIMER,
BLACK LACQUER
PROPELLER FINISH: ALUMINUM ALLOY
ZINC CHROMATE PRIMER,
BLACK LACQUER
SPECIAL FEATURES:

PHYSICAL CHARACTERISTICS

WEIGHT: 1.9 LBS.
NOISE: 70 dBA

TYPICAL APPLICATIONS

SPOT COOLING



1ST STAGE PROP. No. 2766-34 DIA. 2.970 UNVENT
 2ND STAGE PROP. No. DIA.
 MOTOR MODEL M16143B1 CLOSED
 POWER SOURCE 200.0 VAC, 400.0 HZ, 3 PHASE, .000 UF
 CORRECTED TO 59.0 °F TEMP. .07650 DENSITY
 MANUFACTURING TOLERANCES:
 CEM & SPEED: ±3% PRESSURE ±5% POWER ±9%
 3.000 IN. I.D. DUCT

No. Y2971-69
 DATE 7-8-77
 MODEL No. M2971W-1A

