

general specification



2421 Bga Drive · Claremont, NC 28610
 (828) 548-3192 · (714) 540-1000
 www.daesyst.com · cs@daesyst.com

MODEL: M5451A-1A VANEAXIAL FAN

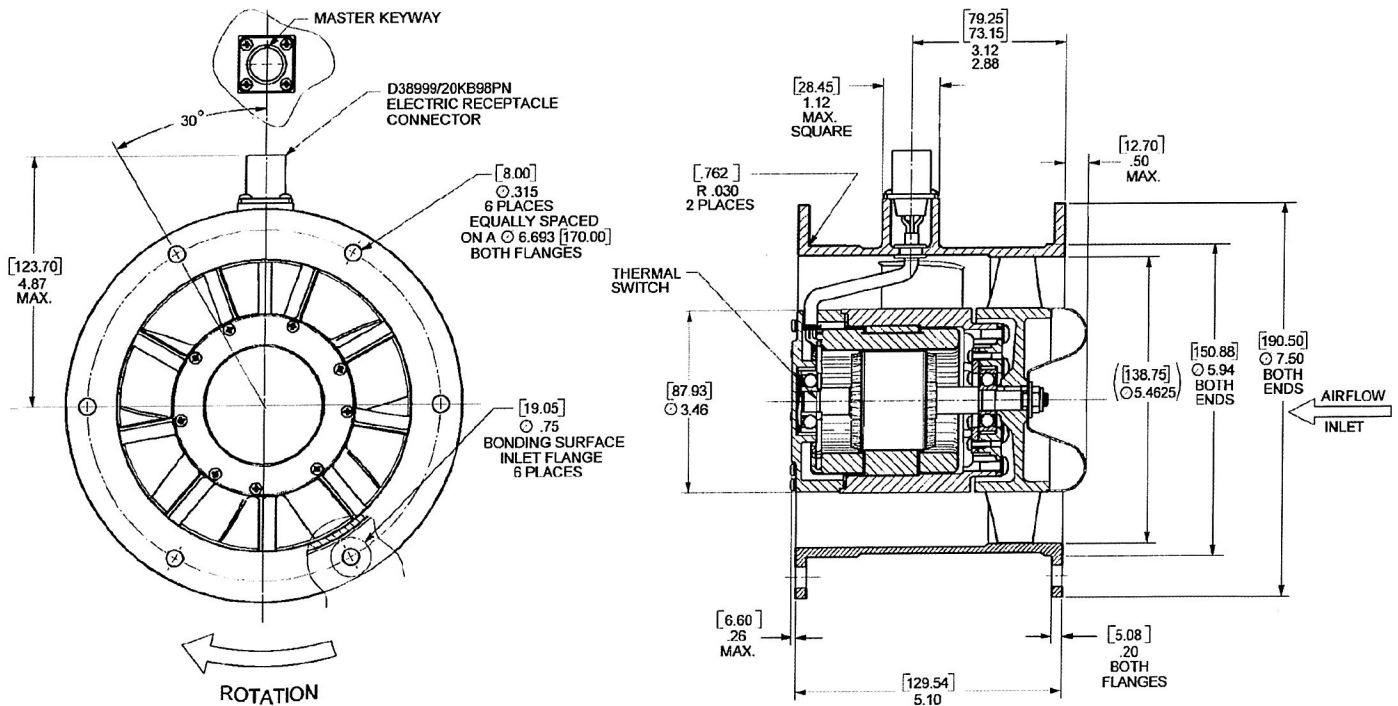
FEATURES

MOTOR MODEL: IM30183BFF
 MOTOR TYPE: CLOSED
 INPUT POWER: 200 VAC/400 Hz/3 PHASE
 SPEED: 11,350 RPM
 THERMAL PROTECTOR: NO
 EMI FILTER: NO
 HOUSING FINISH: ALUMINUM ALLOY WITH ANODIZE,
 COLOR BLACK
 IMPELLER FINISH: ALUMINUM ALLOY WITH ANODIZE,
 COLOR BLACK
 SPECIAL FEATURES:

PHYSICAL CHARACTERISTICS

WEIGHT: 7.8 LBS. MAX.
 NOISE: 74 dBA

TYPICAL APPLICATIONS



PERFORMANCE CURVE

1ST STAGE PROP No. 4427-19 DIA. 5.450
 2ND STAGE PROP No. DIA.
 MOTOR MODEL IM30183BFE
 POWER SOURCE 200.0 VAC, 400.0 HZ, 3 PHASE, .000 UF
 CORRECTED TO 59.0 °F. TEMP. .07650 DENSITY
 MANUFACTURING TOLERANCES:
 CFM & SPEED ±3%; PRESSURE ±6%; POWER ±9%
 5.500 IN. I.D. DUCT

No. Y5451-1
 DATE 1-13-04
 MODEL No. M5451A-5.

