

general specification



2421 Bga Drive · Claremont, NC 28610
 (828) 548-3192 · (714) 540-1000
 www.daesyst.com · cs@daesyst.com

MODEL : MF601A-36A MIXED FLOW FAN

FEATURES

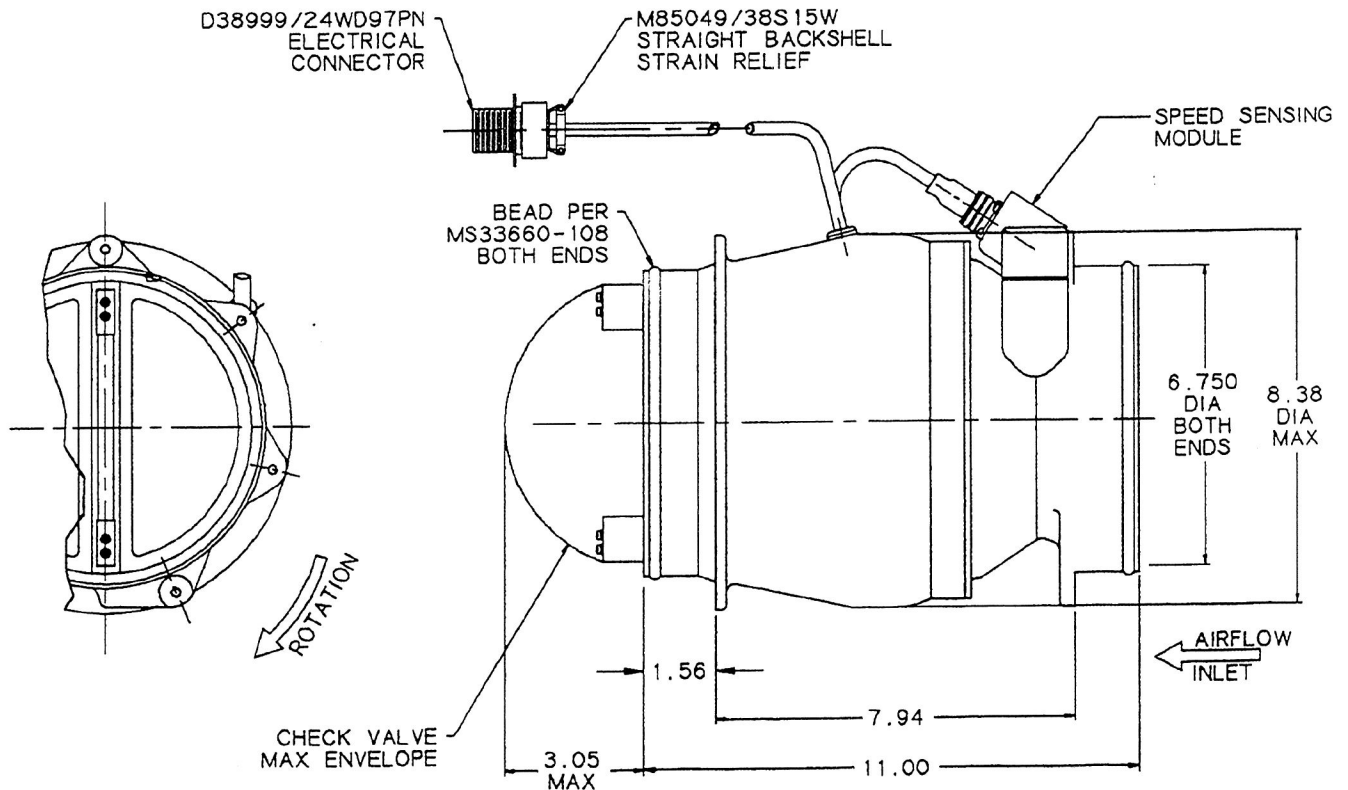
MOTOR MODEL	IM31523BA (INTEGRAL MOTOR)
MOTOR TYPE	CLOSED
INPUT POWER	200 VAC/3 PH/400 Hz
SPEED	11600 RPM
THERMAL PROTECTOR	NO
EMI FILTER HOUSING FINISH	NONE ALUMINUM ALLOY ANODIZE, EPOXY PRIMER, GRAY LACQUER TOPCOAT
IMPELLER FINISH	ALUMINUM ALLOY ANODIZE
SPECIAL FEATURES	SPEED SENSING MODULE CHECK VALVE

PHYSICAL CHARACTERISTICS

WEIGHT 19.5 LBS
 NOISE 90dBA

TYPICAL APPLICATIONS

AVIONICS COOLING



1st STAGE PROP. No. 5805 B O/A
 2ND STAGE PROP. No. O/A
 MOTOR MODEL IM31523BA CLOSED
 POWER SOURCE 200.0 VAC, 400.0 HZ, 3 PHASE, 000 LF
 CORRECTED TO 59.0 °F TEMP. 07650 DENSITY
 MANUFACTURING TOLERANCES:
 CFM & SPEED ±1% PRESSURE ±6% POWER ±9%
 6.530 IN. I.D. DUCT
 WITH CHECK VALVE

No. Y601363
 DATE 2-28-96
 MODEL No. MF601A-36A

